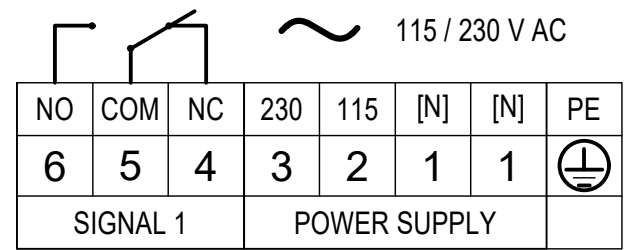
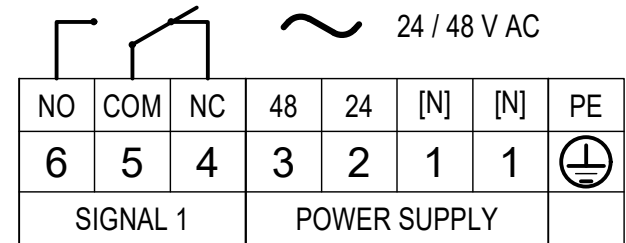


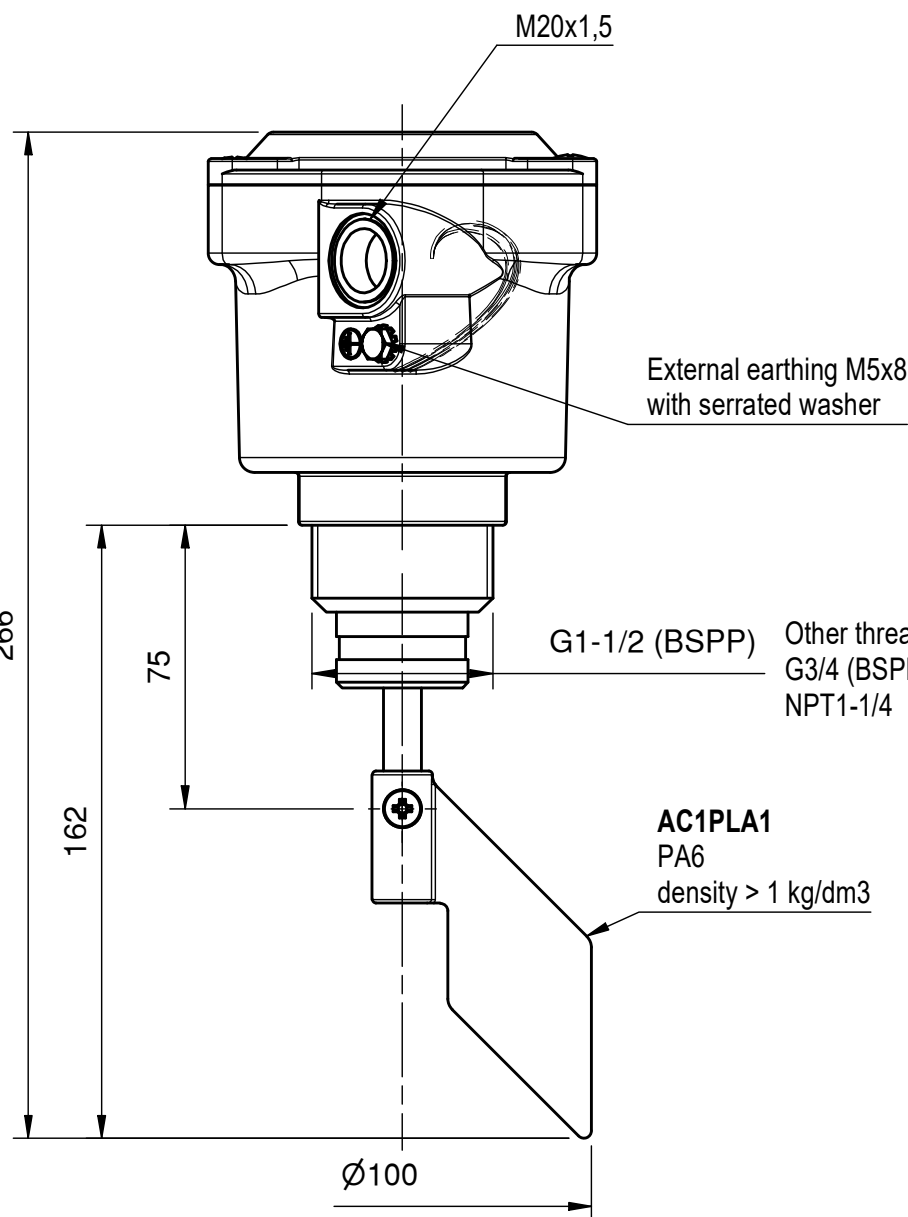
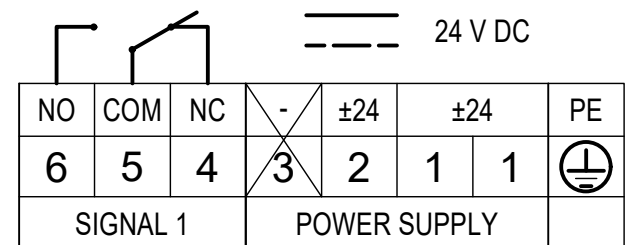
MAX
0,1A / 250 V AC
0,1A / 24V DC



MAX
0,1A / 250 V AC
0,1A / 24V DC



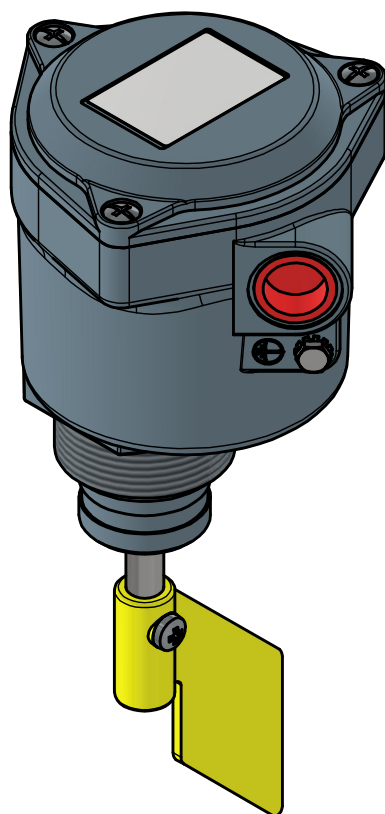
MAX
0,1A / 250 V AC
0,1A / 24V DC



Other threads available:
G3/4 (BSPP)
NPT1-1/4

TERMINALS: male FASTON (.250 series / 6,3x0,8 mm)
see OPTIONS for more

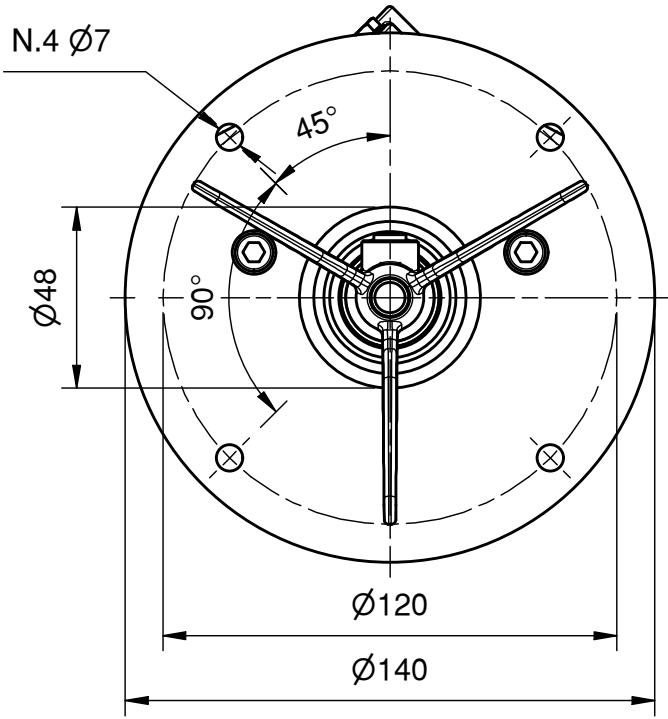
PFG57



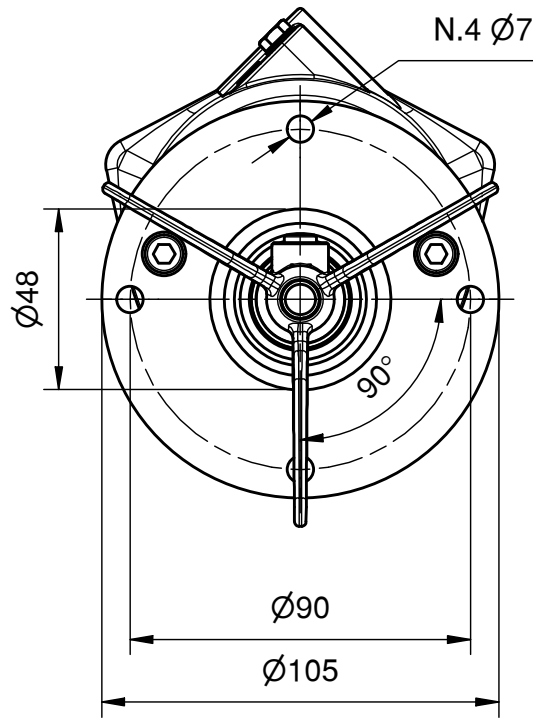
Model	PFG57
Weight	0.9 [kg]
Power supply	- Bivoltage 115/230[V] (50...60Hz) - Bivoltage 24/48[V] (50...60Hz) - DC 24[V]
Consumption	4 [W] max
Signal	SPDT / max. 0,1[A]-250VAC / 0,1[A]-24VDC
IP grade	IP65
Housing	Aluminium (powder coated)
Connection	G 1" 1/2 - Aluminium
Ambient temperature	-20 < Ta < +70 [°C] -40 < Ta < +70 [°C] LOW TEMPERATURE VERSION ONLY
Process temperature	-20 < Tp < +70 [°C]
Pressure range	+0,8 ... +1,1 bar [abs] +0.8 ... +5 bar [abs] (non-ATEX version)
Directives	2011/65/EU (RoHS) 2014/30/EU (EMC) 2014/34/EU (ATEX) 2014/35/EU (LVD)
ATEX Marking	Ex II 1/2 D Ex ta/tb IIIC T85°C IP65 Da/Db Ex II 3 D Ex tc IIIB T85°C Dc (Lamp version)
IECEX Marking	Ex ta/tb IIIC T85°C Da/Db

02	29/05/26	Agg. generale + portata contatti	0017/26	Salati A.
REV.	DATA - Date	DESCRIZIONE MODIFICA - Description of the change	ID	DIS./VER. - Drawn/Checked
CODICE - Code 0602 0006 00		DESCRIZIONE - Description SCHEDE TECNICA PFG57		
DISEGNATO Drawn by Colli S.		SCALA Scale 1:2		
DATA Date 25/07/25		FORMATO Format A3		
LE DIMENSIONI SONO ESPRESSE IN mm SALVO DIVERSA INDICAZIONE All dimension are in mm unless otherwise indication		FOGLIO Sheet 1 Of 5		REV. 02
Via dell' Industria, 12 42025 Cavriago (RE) - Italy www.camlogic.it		FILE CAD Cad File 0602_0006_00-02.idw		MASSA Mass 0,88 kg

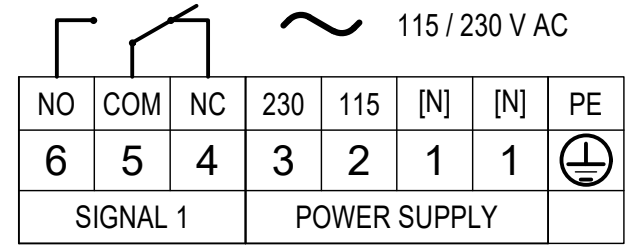
d.140 Flange



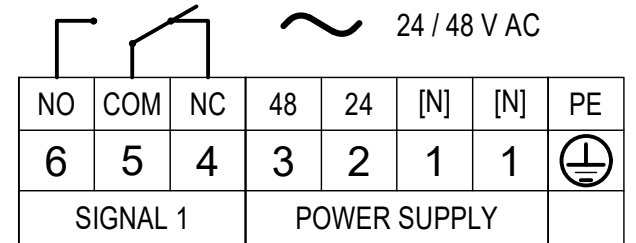
d.105 Flange



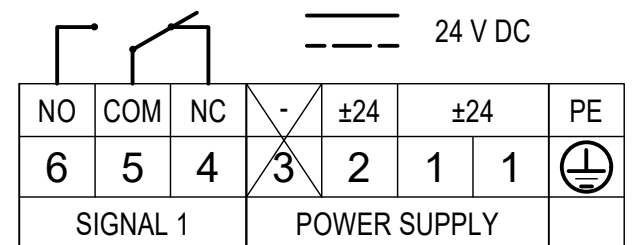
MAX
0,1A / 250 V AC
0,1A / 24V DC



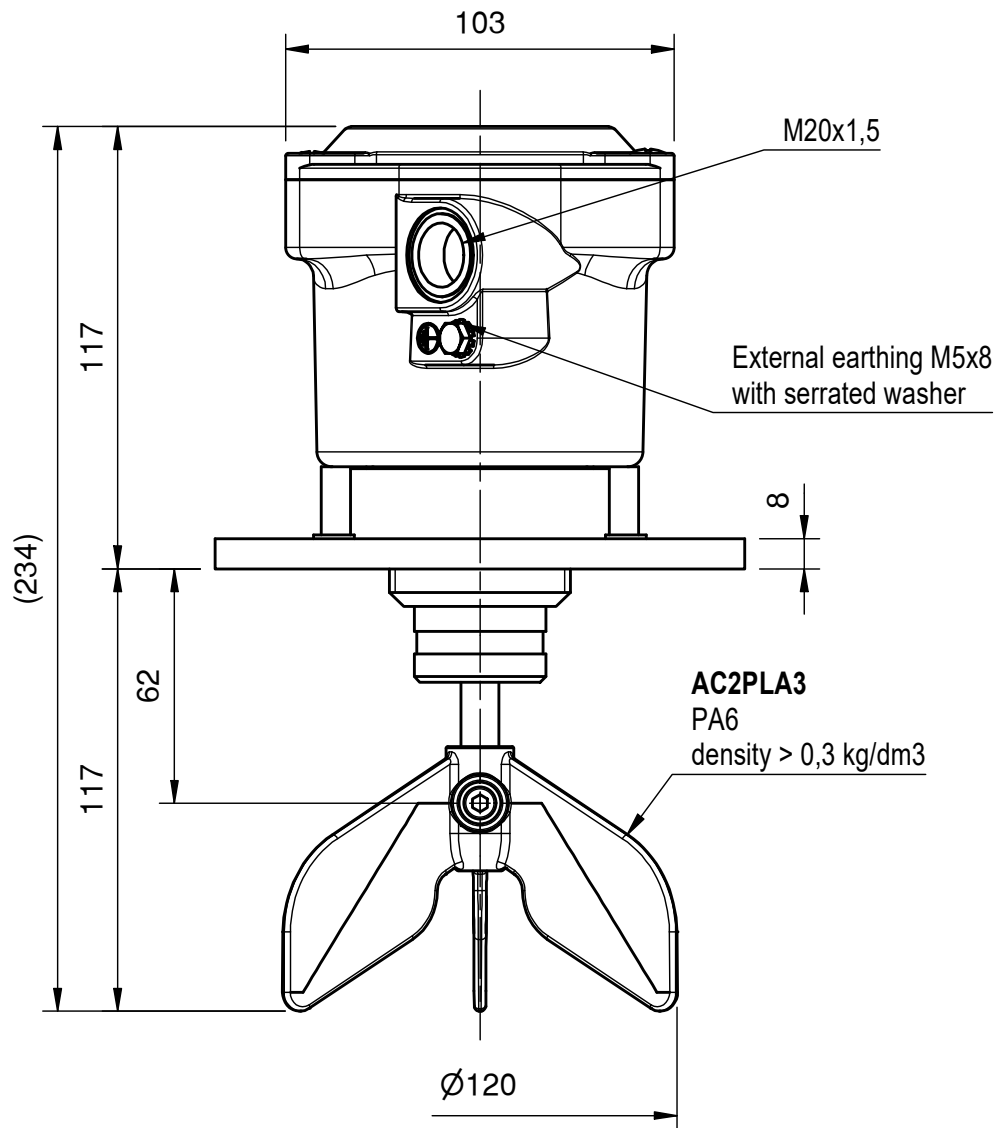
MAX
0,1A / 250 V AC
0,1A / 24V DC



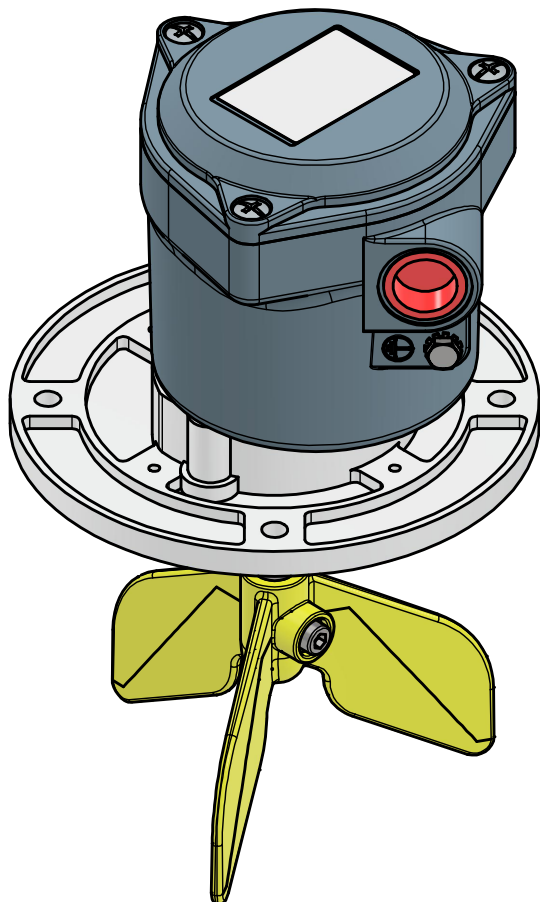
MAX
0,1A / 250 V AC
0,1A / 24V DC



TERMINALS: male FASTON (.250 series / 6,3x0,8 mm)
see OPTIONS for more



PFG05 F

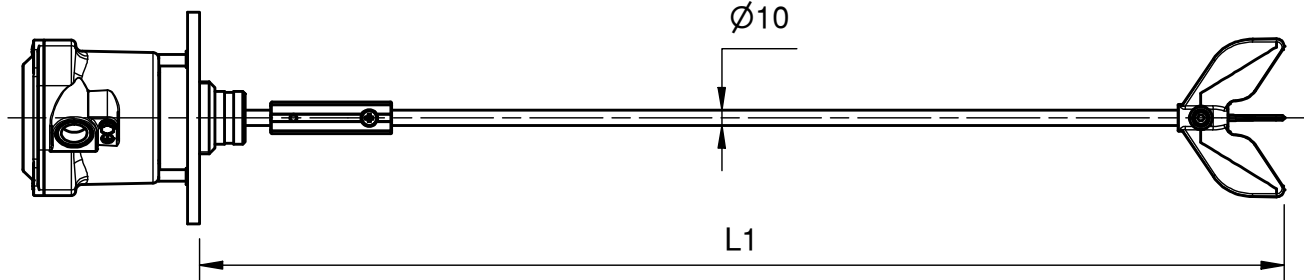


Model	PFG57
Weight	0.9 [kg]
Power supply	- Bivoltage 115/230[V] (50...60Hz) - Bivoltage 24/48[V] (50...60Hz) - DC 24[V]
Consumption	4 [W] max
Signal	SPDT / max. 0,1[A]-250VAC / 0,1[A]-24VDC
IP grade	IP65
Housing	Aluminium (powder coated)
Connection	G 1" 1/2 - Aluminium
Ambient temperature	-20 < Ta < +70 [°C] -40 < Ta < +70 [°C] LOW TEMPERATURE VERSION ONLY
Process temperature	-20 < Tp < +70 [°C]
Pressure range	+0,8 ... +1,1 bar [abs] +0.8 ... +5 bar [abs] (non-ATEX version)
Directives	2011/65/EU (RoHS) 2014/30/EU (EMC) 2014/34/EU (ATEX) 2014/35/EU (LVD)
ATEX Marking	Ex II 1/2 D Ex ta/tb IIIC T85°C IP65 Da/Db Ex II 3 D Ex tc IIIB T85°C Dc (Lamp version)
IECEX Marking	Ex ta/tb IIIC T85°C Da/Db

02	29/05/26	Agg. generale + portata contatti	0017/26	Salati A.
REV.	DATA - Date	DESCRIZIONE MODIFICA - Description of the change	ID	DIS./VER. - Drawn/Checked
CODICE - Code		DESCRIZIONE - Description		
0602 0006 00		SCHEDE TECNICA PFG57		
DISEGNATO		SCALA	1:2	
Drawn by Colli S.		Scale		
DATA		FORMATO	A3	
Date 25/07/25		Format		
LE DIMENSIONI SONO ESPRESSE IN mm SALVO DIVERSA INDICAZIONE		FUOGIO	DI	REV.
All dimension are in mm unless otherwise indication		Sheet	2	Of 5
FILE CAD	0602_0006_00-02.idw	MASSA	1.16	kg
Cad File				02

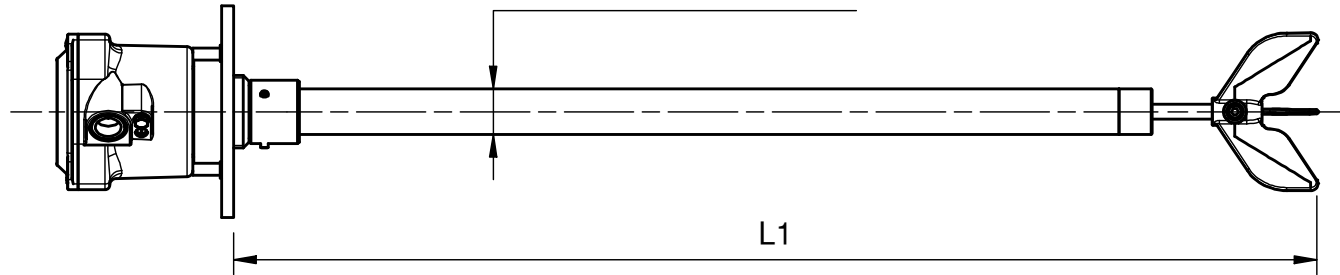
EXTENSIONS

Extension w/o protection
PSP : galvanized steel
PSPX : stainless steel



Ø32: galvanized steel
 Ø30: stainless steel

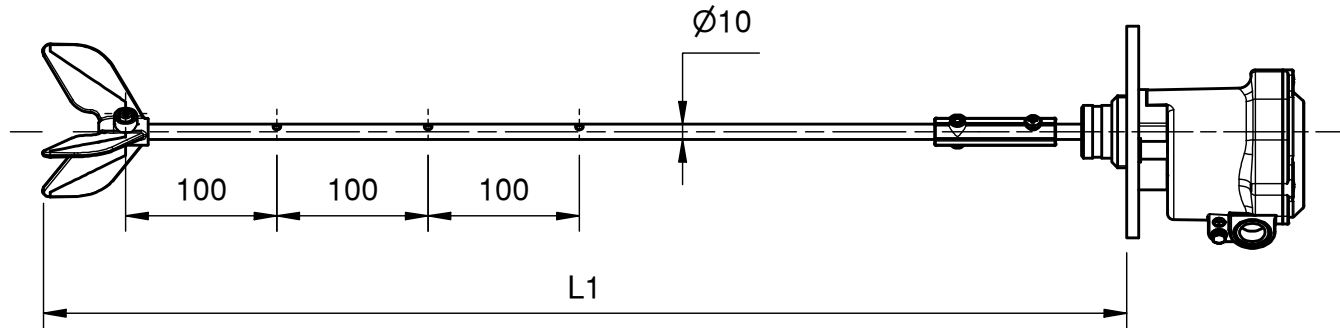
Extension with external protection
PCP : galvanized steel
PCPX : stainless steel



L1 [mm]
200
300
400
500
600
700
800
900
1100
1400
1700
1900
2400
2900
other lengths available on request, up to 3m

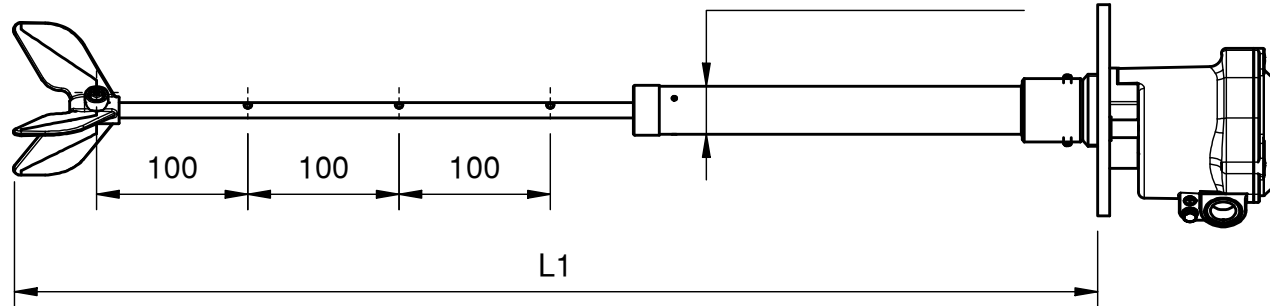
L1 [mm]
500
600
700
800
900
1100
1400
1700
1900
2400
2900
other lengths available on request, up to 3m

Adjustable xtension w/o protection
PRS : galvanized steel
PRSX : stainless steel

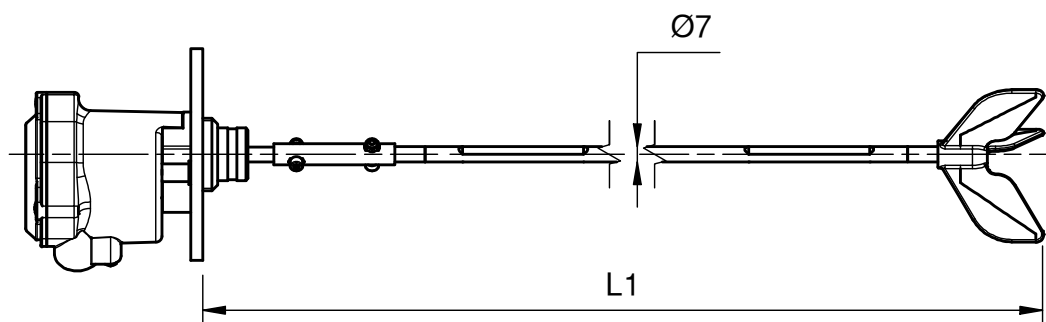


Ø32: galvanized steel
 Ø30: stainless steel

Extension with external protection
PRP : galvanized steel
PRPX : stainless steel



Flexible extension
PF : galvanized steel



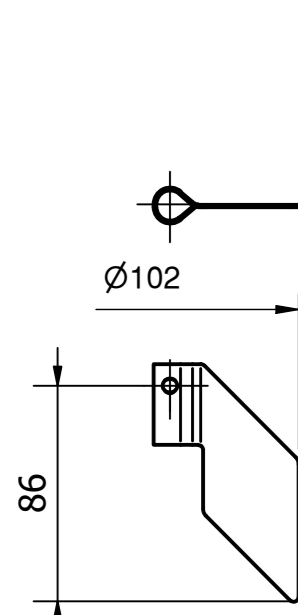
L1 [mm]
500
600
700
800
900
1000
1200
1500
1800
2000
2500
3000
4000

L1 [mm]
5000
6000
7000
8000
9000
10000
11000
12000
other lengths available on request, up to 3m

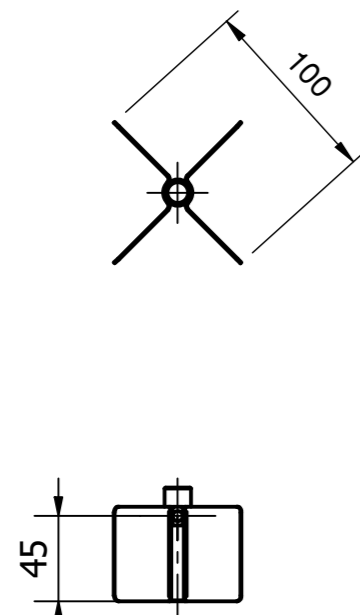
NOTE : lengths may slightly differ from the tables according to the type of connection, model and paddle chosen

02	29/05/26	Agg. generale + portata contatti	0017/26	Salati A.
REV.	DATA - Date	DESCRIZIONE MODIFICA - Description of the change	ID	DIS./VER. - Drawn/Checked
CODICE - Code 0602_0006_00		DESCRIZIONE - Description SCHEMA TECNICA PFG57		
DISEGNATO Drawn by Colli S.		SCALA Scale 1:5		
DATA Date 25/07/25		FORMATO Format A3		
LE DIMENSIONI SONO ESPRESSE IN mm SALVO DIVERSA INDICAZIONE All dimension are in mm unless otherwise indication		FOGLIO Sheet 3 Of 5		REV. 02
Via dell' Industria, 12 42025 Cavriago (RE) - Italy www.camlogic.it		FILE CAD Cad File 0602_0006_00-02.idw		MASSA Mass 1.54 kg
IL DISEGNO E' DI PROPRIETA' DI CAMLogic Srl CONTIENE INFORMAZIONI RISERVATE CHE NON POSSONO ESSERE COPIATE O COMUNICATE A TERZI SENZA AUTORIZZAZIONE This drawing is CAMLogic Srl property and contains confidential information that may not be copied or disclosed to third parties without permission				

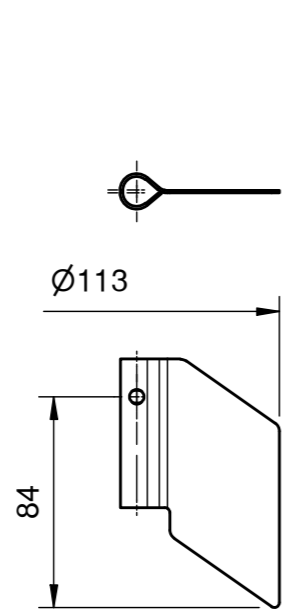
PADDLES



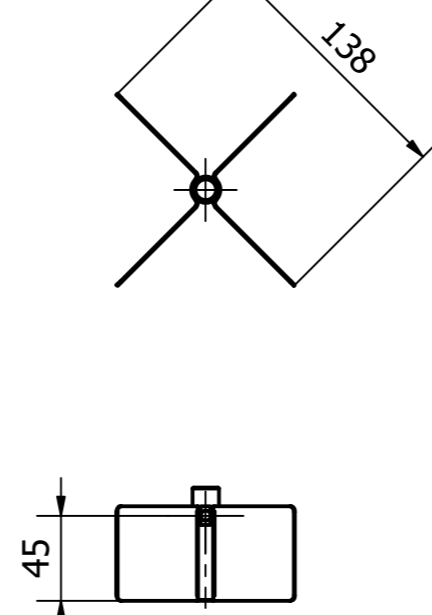
AC1 INOX
AISI 304
AISI 316
density > 1.0 kg/dm3



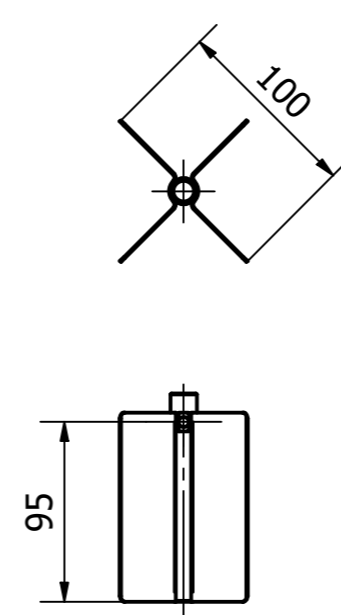
AC3 INOX
AISI 304
AISI 316
density > 0.3 kg/dm3



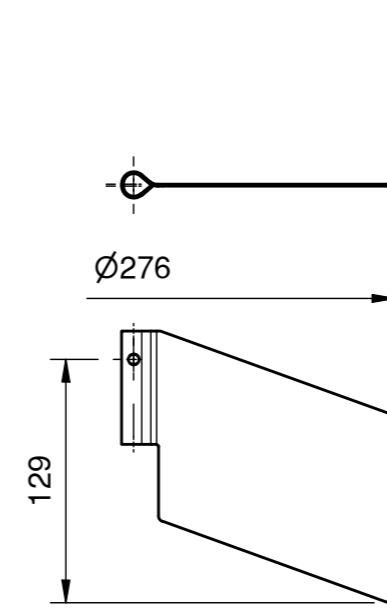
AC4 INOX
AISI 304
density > 0.5 kg/dm3



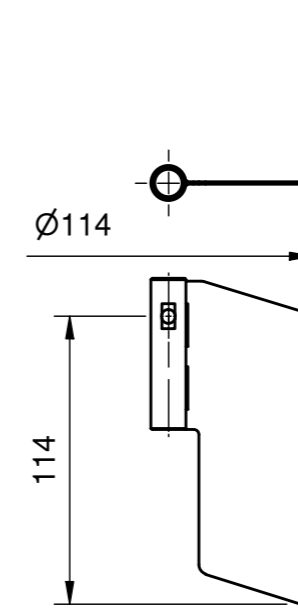
AC5 INOX
AISI 304
density > 0.2 kg/dm3



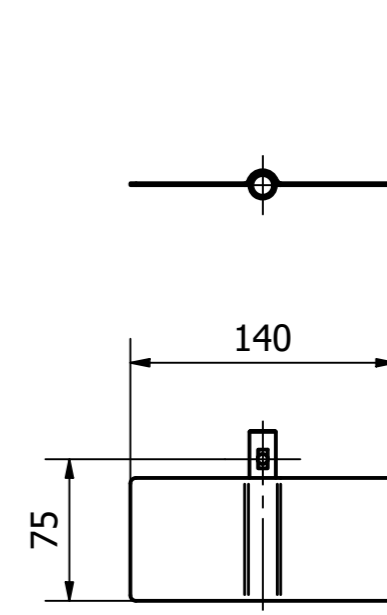
AC5L INOX
AISI 304
AISI 316
density > 0.2 kg/dm3



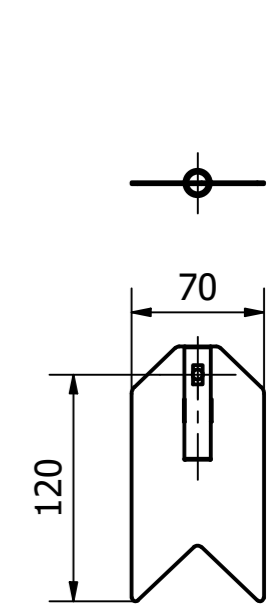
AC6 INOX
AISI 304
density > 0.1 kg/dm3



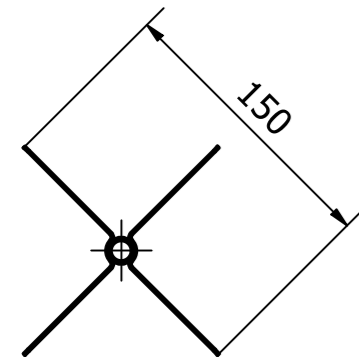
AC7 INOX
AISI 304
density > 0.3 kg/dm3



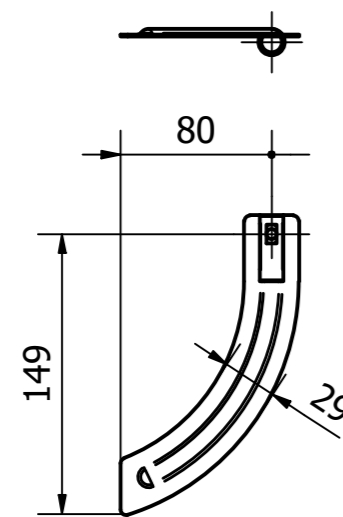
AC9 INOX
AISI 304
density > 0.2 kg/dm3



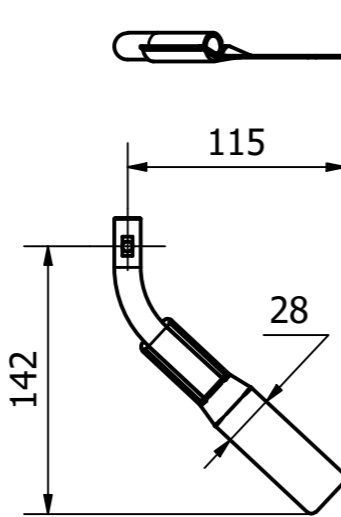
AC10 INOX
AISI 304
density > 0.6 kg/dm3



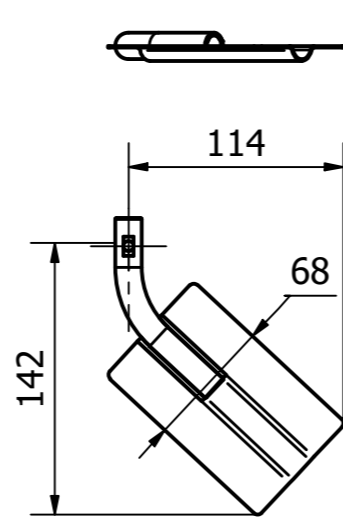
AC11 INOX
AISI 304
density > 0.1 kg/dm3



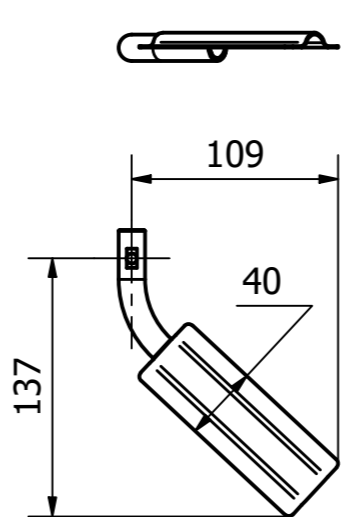
AC12 INOX
AISI 304
AISI 316
density > 0.4 kg/dm3



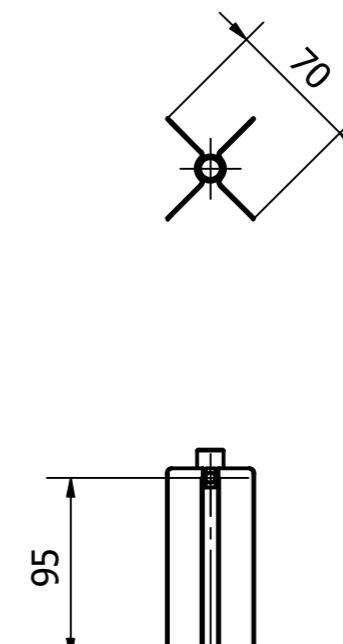
AC14 INOX
AISI 304
density > 0.4 kg/dm3



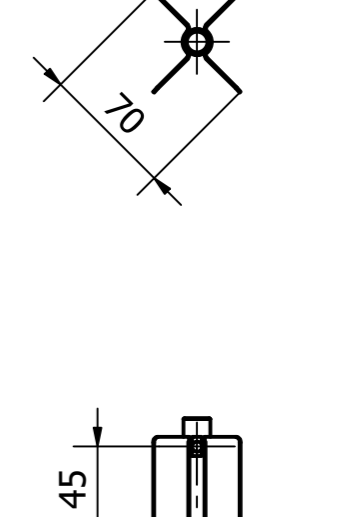
AC15 INOX
AISI 304
density > 0.2 kg/dm3



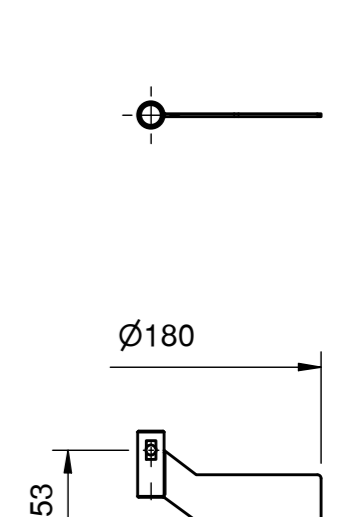
AC16 INOX
AISI 304
density > 0.3 kg/dm3



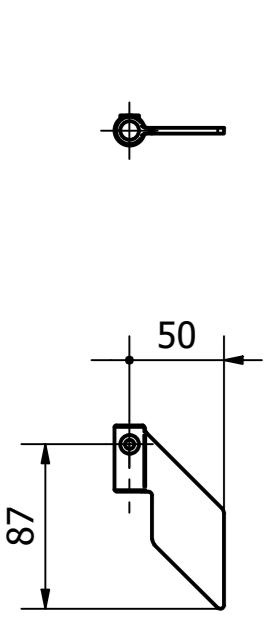
AC17 INOX
AISI 304
density > 0.4 kg/dm3



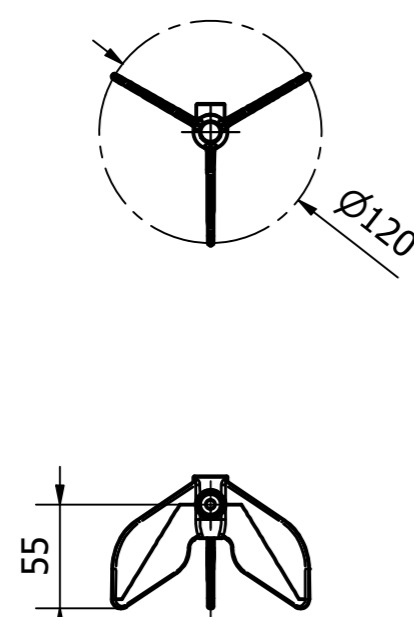
AC18 INOX
AISI 304
density > 0.7 kg/dm3



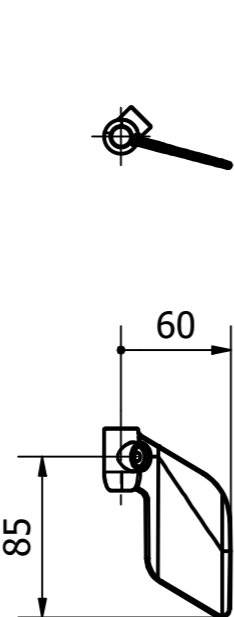
AC21 INOX
AISI 304
AISI 316
density > 0.25 kg/dm3



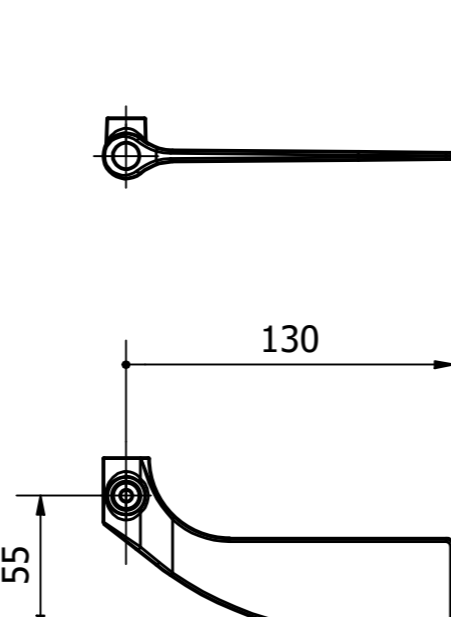
AC1 PLA
PA 6
density > 1.0 kg/dm3



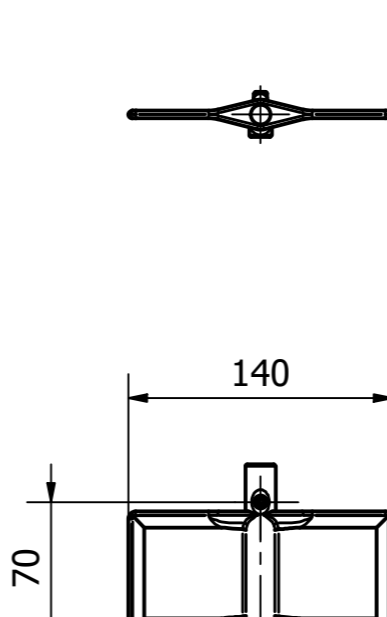
AC2 PLA
PA 6
density > 0.3 kg/dm3



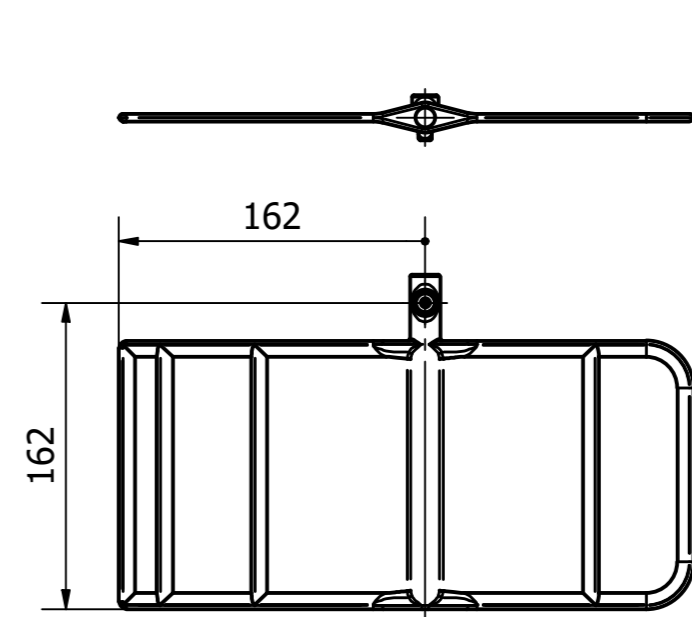
AC4 PLA
PA 6
density > 0.5 kg/dm3



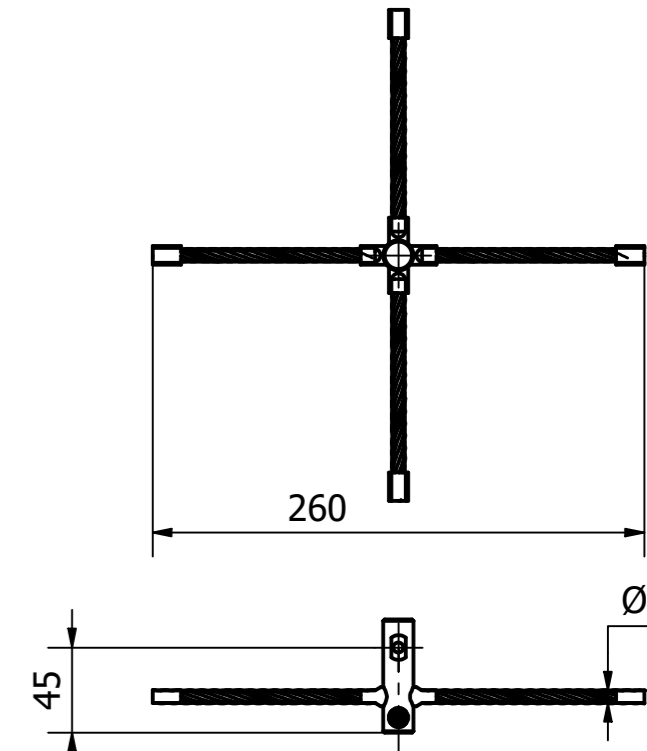
AC19PLA1
Lathiom 52/11-08 PD02
density > 0.3 kg/dm3



AC9 PLA
PA 6
density > 0.2 kg/dm3

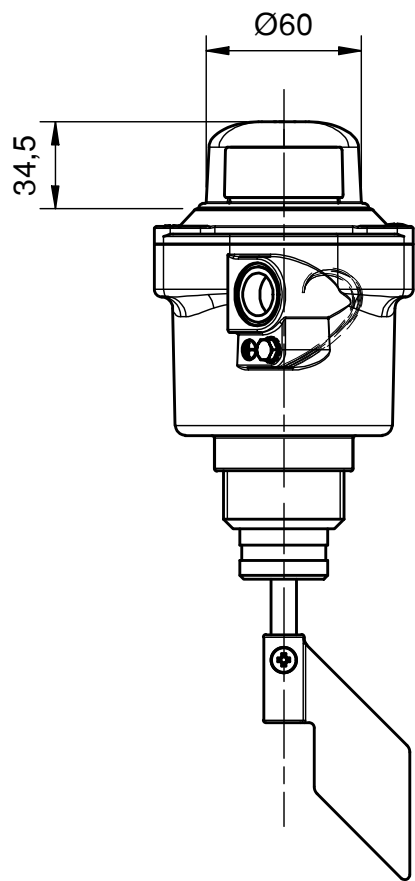


AC13 PLA
PA 6
density > 0.02 kg/dm3



AC8
galvanized steel (wires)
density > 2.0 kg/dm3

02	29/05/26	Agg. generale + portata contatti	0017/26	Salati A.
REV.	DATA - Date	DESCRIZIONE MODIFICA - Description of the change	ID	DIS./VER. - Drawn/Checked
CODICE - Code		DESCRIZIONE - Description		
0602_0006_00		SCHEMA TECNICA PFG57		
DISEGNATO		SCALA		
Colli S.		1:3		
DATA		FORMATO		
25/07/25		A2		
LE DIMENSIONI SONO ESPRESSE IN mm SALVO DIVERSA INDICAZIONE		FOGLIO		
All dimension are in mm unless otherwise indication		4		
FILE CAD		MASSA		
0602_0006_00-02.idw		0,03		
www.camlogic.it		kg		02



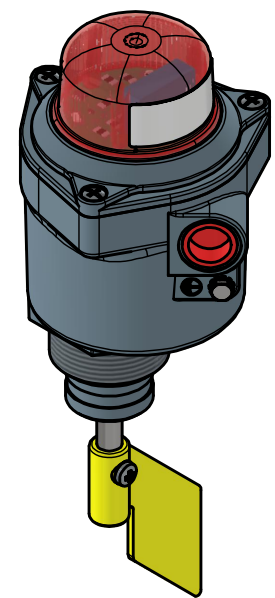
PFG57 L

SIGNAL LAMP (PFG57.../L)

Adds a LED lamp on top. The lamp could be connected to NC contact (MIN level - empty), or NO contact (MAX level - full).

Must define a single power supply voltage:

- 24 [V] AC/DC
- 48 [V] AC
- 115[V] AC
- 230[V] AC



NOTE

Model with lamp can be installed only in Atex zone 22
Marking: Ex II 3 D Ex tc IIIB T85°C Dc

LOW TEMPERATURE (PFG05.../B)

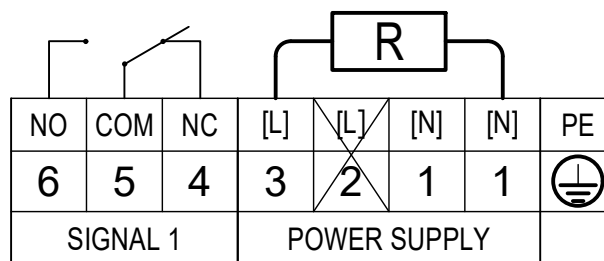
Extends the range of use of the indicator down to a minimum temperature of -40°C.

Intelligent automatic operation: when the temperature exceeds +20°C it stops heating (heating OFF), it is reactivated when the temperature falls again below +20°C (heating ON).

Must define a single power supply voltage:

- 24 [V] AC/DC
- 48 [V] AC
- 115[V] AC
- 230[V] AC

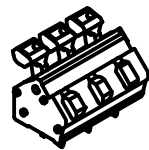
MAX
0,1A / 250 V AC
0,1A / 24V DC



Heater rate:
Ta > 20°C / P = 0,5 W - OFF
Ta < 20°C / P = 6,5 W - ON

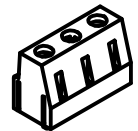
SPRING TERMINAL BLOCK

Terminals with spring terminal design.
No tool needed for wires connection.
0.13 - 2.5 mm² (AWG26 - AWG14)



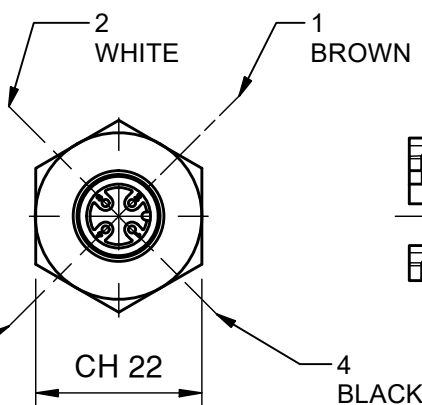
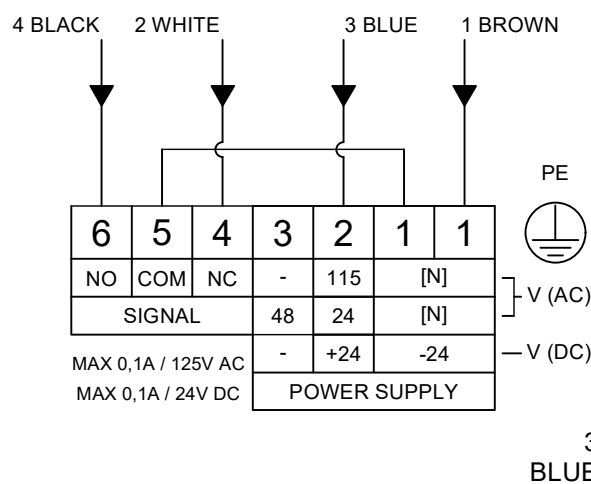
SCREW TERMINAL BLOCK

Terminals with screw terminal design (flat head).
0.05 - 2.5 mm² (AWG30 - AWG12)

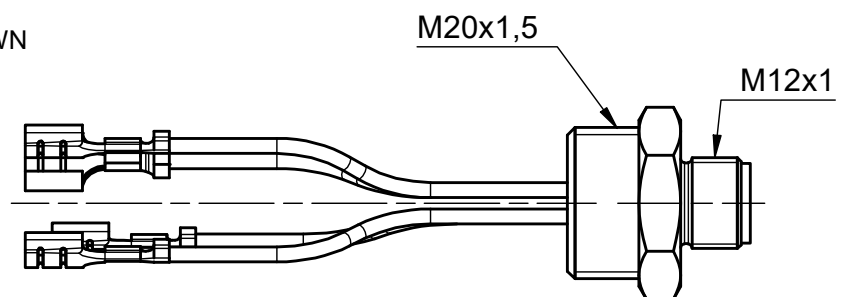


M12 CIRCULAR CONNECTOR

Through a M20x1,5 threaded reduction mounted in one of the cable entries of the level indicato, it is possible to use the 4/5 poles M12 connector for a quick and reliable connection. Available only for 24 V power supply (DC), maximum contacts capacity 4A.



M12-4P



4rpm GEARMOTOR

Increase paddle speed (4rpm) to reduce product detection delay time (response time about 1.5s)

02	29/05/26	Agg. generale + portata contatti	0017/26	Salati A.
REV.	DATA - Date	DESCRIZIONE MODIFICA - Description of the change	ID	DIS./VER. - Drawn/Checked
CODICE - Code 0602 0006 00		DESCRIZIONE - Description SCHEDE TECNICA PFG57		
DISEGNATO Drawn by Colli S.		SCALA Scale 1:3		
DATA Date 25/07/25		FORMATO Format A3		
LE DIMENSIONI SONO ESPRESSE IN mm SALVO DIVERSA INDICAZIONE All dimension are in mm unless otherwise indication		FOGLIO Sheet 5		DI Of 5
FILE CAD Cad File 0602_0006_00-02.idw		MASSA Mass 1.16		kg
Via dell' Industria, 12 42025 Cavriago (RE) - Italy www.camlogic.it		Tel. 0522 942641		