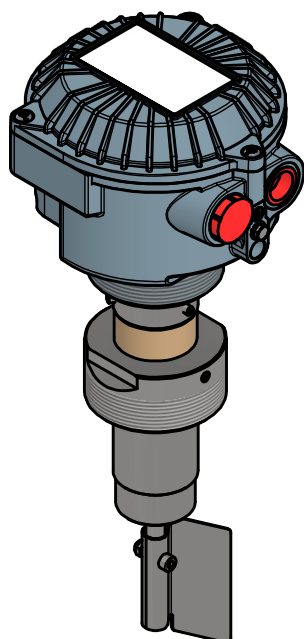


PFG05AT



OPTIONS

MAX  
10A / 250 V AC VOLTAGE CONTROL  
0,5A / 24V DC

ROTAION CONTROL 115 / 230 V AC

NO	COM	NC	NO	COM	NC	5	4	230	115	[N]	[N]
11	10	9	8	7	6	5	4	3	2	1	1
SIGNAL 2			SIGNAL 1			ALARMS		POWER SUPPLY			

OPTIONS

MAX  
10A / 250 V AC VOLTAGE CONTROL  
0,5A / 24V DC

ROTAION CONTROL 24 / 48 V AC

NO	COM	NC	NO	COM	NC	5	4	48	24	[N]	[N]
11	10	9	8	7	6	5	4	3	2	1	1
SIGNAL 2			SIGNAL 1			ALARMS		POWER SUPPLY			

OPTIONS

MAX  
10A / 250 V AC VOLTAGE CONTROL  
0,5A / 24V DC

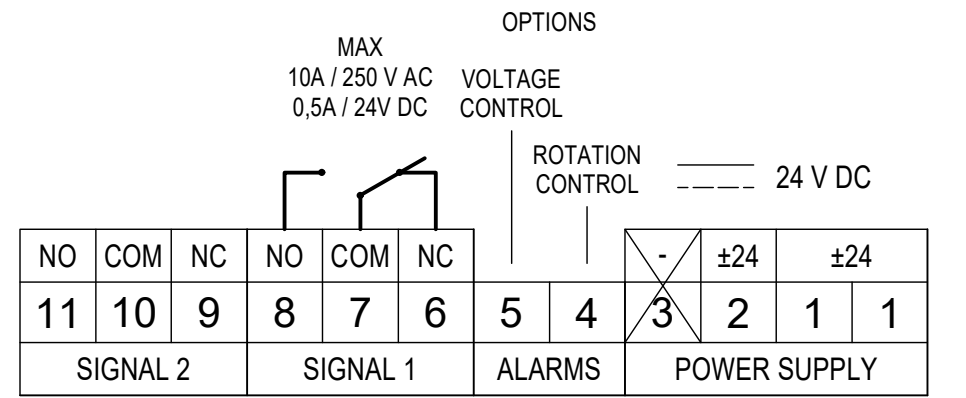
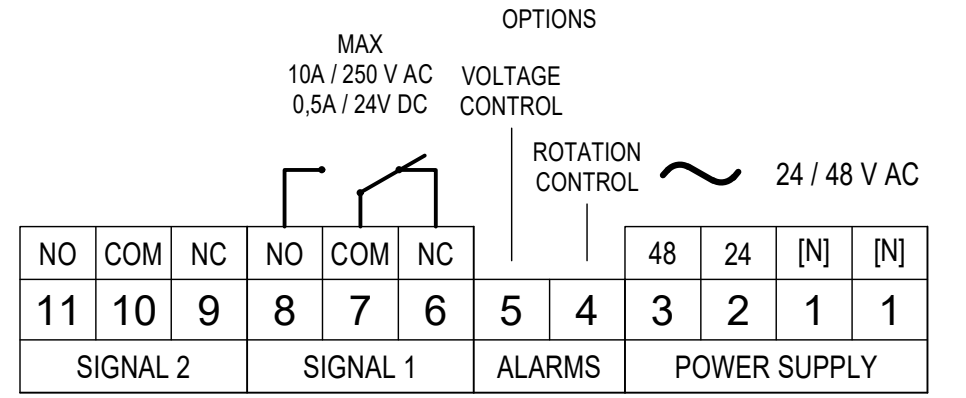
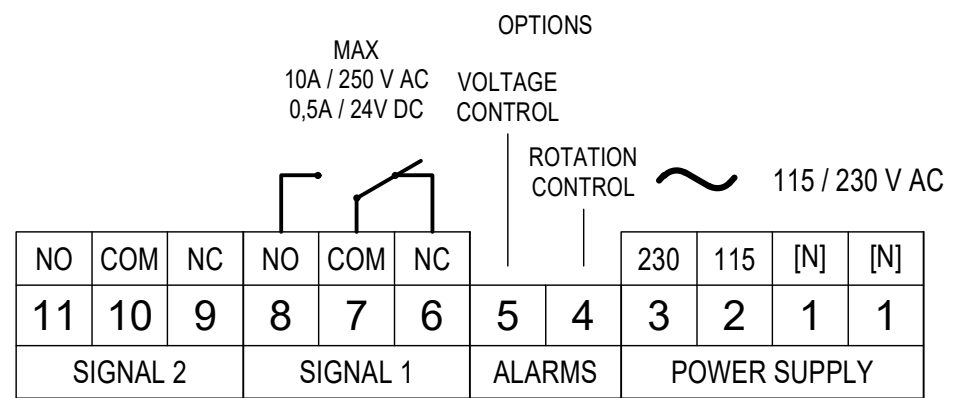
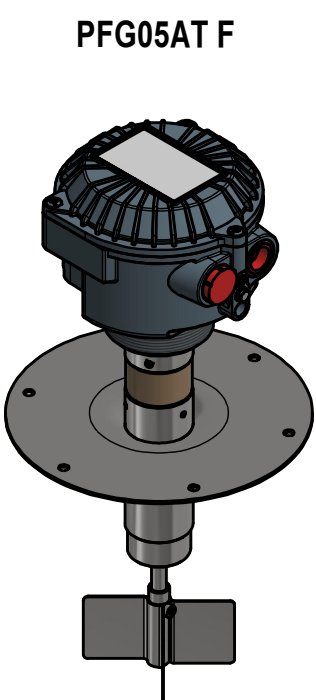
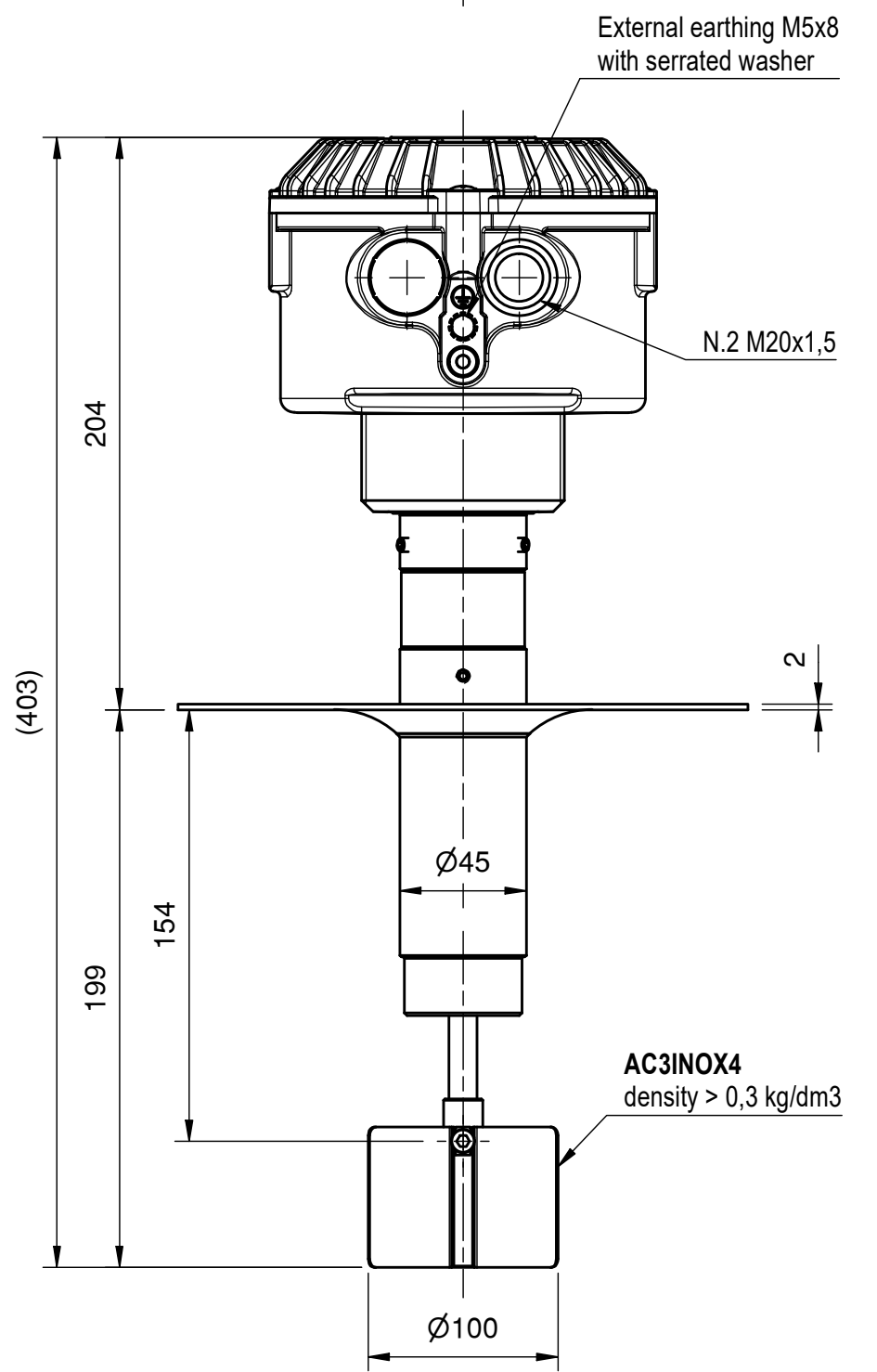
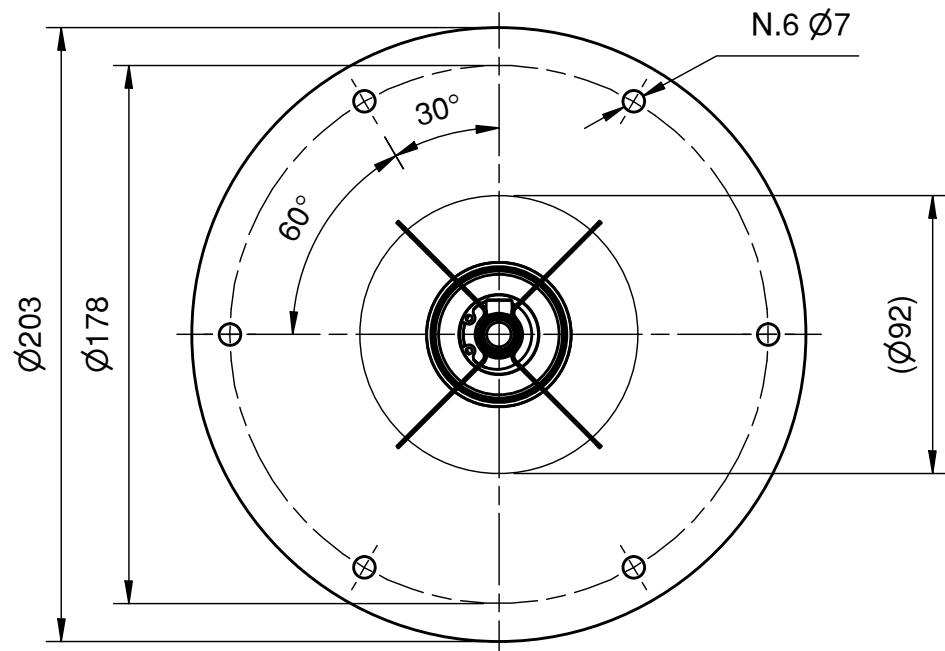
ROTAION CONTROL 24 V DC

NO	COM	NC	NO	COM	NC	5	4	<del>3</del>	±24	±24	
11	10	9	8	7	6	5	4	<del>3</del>	2	1	1
SIGNAL 2			SIGNAL 1			ALARMS		POWER SUPPLY			

TERMINALS: male FASTON (.250 series / 6,3x0,8 mm)  
see OPTIONS for more

Model	PFG05AT
Weight	3.0 [kg]
Power supply	- Bivoltage 115/230[V] (50...60Hz) - Bivoltage 24/48[V] (50...60Hz) - DC 24[V]
Consumption	4 [W] max
Signal	SPDT / max. 10[A]-250VAC / 0,5[A]-24VDC
IP grade	IP65
Housing	Aluminium (powder coated)
Connection	G 2" 1/2 - AISI304 / AISI316
Ambient temperature	-20 < Ta < +70 [°C] -40 < Ta < +70 [°C] LOW TEMPERATURE VERSION ONLY
Process temperature	-20 < Tp < +200 [°C]
Pressure range	+0,8 ... +1,1 bar [abs] +0.8 ... +5 bar [abs] (non-ATEX version)
Directives	2011/65/EU (RoHS) 2014/30/EU (EMC) 2014/34/EU (ATEX) 2014/35/EU (LVD)
ATEX Marking	Ex II 1/2 D Ex ta/tb IIIC T85°C IP65Da/Db Ex II 3 D Ex tc IIIB T85°C Dc (Lamp version)
IECEX Marking	Ex ta/tb IIIC T85°C Da/Db

02	15/06/26	Agg. generale + portata contatti	0022/26	Salati A.
REV.	DATA - Date	DESCRIZIONE MODIFICA - Description of the change	ID	DIS./VER. - Drawn/Checked
CODICE - Code		DESCRIZIONE - Description		
0602 0004 00		SCHEDE TECNICA PFG05AT		
DISEGNATO Drawn by Colli S.		SCALA Scale 1 : 2,5		
DATA Date 25/07/25		FORMATO Format A3		
LE DIMENSIONI SONO ESPRESSE IN mm SALVO DIVERSA INDICAZIONE All dimension are in mm unless otherwise indication		FOGLIO Sheet 1		DI Of 5
FILE CAD Cad File 0602_0004_00-02.idw		MASSA Mass 3.05		kg
Via dell' Industria, 12 42025 Cavriago (RE) - Italy www.camlogic.it		Tel. 0522 942641		REV. 02



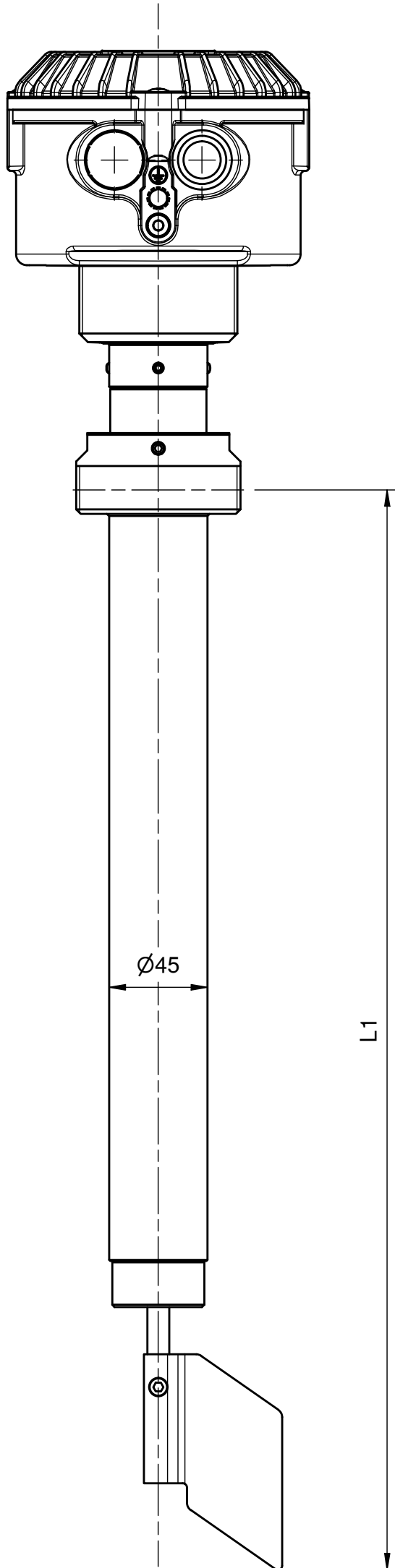
TERMINALS: male FASTON (.250 series / 6,3x0,8 mm)  
see OPTIONS for more

Model	PFG05AT F
Weight	2.9 [kg]
Power supply	- Bivoltage 115/230[V] (50...60Hz) - Bivoltage 24/48[V] (50...60Hz) - DC 24[V]
Consumption	4 [W] max
Signal	SPDT / max. 10[A]-250VAC / 0,5[A]-24VDC
IP grade	IP65
Housing	Aluminium (powder coated)
Connection	Flange - AISI304 / AISI316
Ambient temperature	-20 < Ta < +70 [°C] -40 < Ta < +70 [°C] LOW TEMPERATURE VERSION ONLY
Process temperature	-20 < Tp < +200 [°C]
Pressure range	+0,8 ... +1,1 bar [abs] +0.8 ... +5 bar [abs] (non-ATEX version)
Directives	2011/65/EU (RoHS) 2014/30/EU (EMC) 2014/34/EU (ATEX) 2014/35/EU (LVD)
ATEX Marking	Ex II 1/2 D Ex ta/tb IIIC T85°C IP65Da/Db Ex II 3 D Ex tc IIIB T85°C Dc (Lamp version)
IECEX Marking	Ex ta/tb IIIC T85°C Da/Db

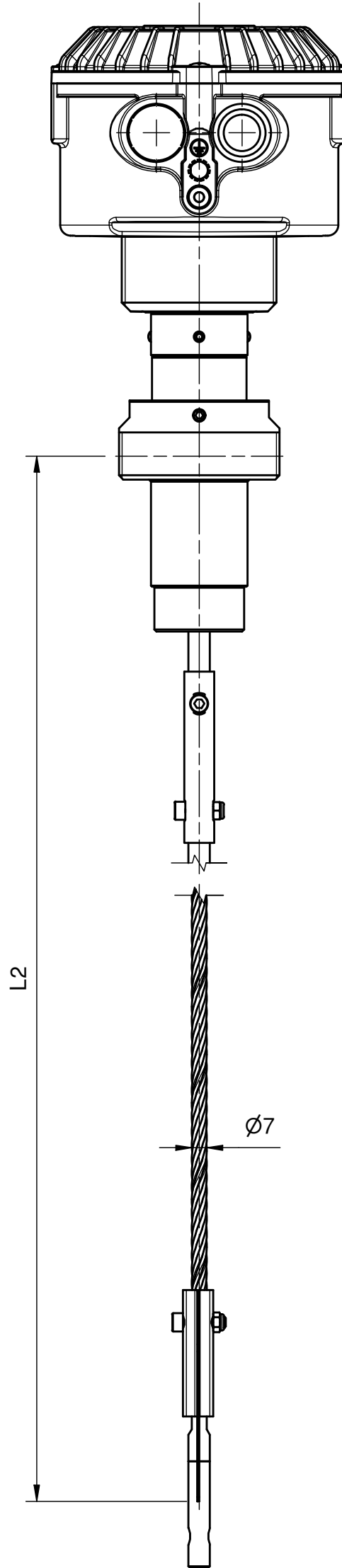
02	15/06/26	Agg. generale + portata contatti	0022/26	Salati A.
REV.	DATA - Date	DESCRIZIONE MODIFICA - Description of the change	ID	DIS./VER. - Drawn/Checked
CODICE - Code		DESCRIZIONE - Description		
0602 0004 00		SCHEMA TECNICA PFG05AT		
DISEGNATO Drawn by Colli S.		SCALA Scale 1:2.5		
DATA Date 25/07/25		FORMATO Format A3		
LE DIMENSIONI SONO ESPRESSE IN mm SALVO DIVERSA INDICAZIONE All dimension are in mm unless otherwise indication		FOGLIO Sheet 2		DI Of 5
FILE CAD Cad File 0602_0004_00-02.idw		MASSA Mass 3.05		kg
Via dell' Industria, 12 42025 Cavriago (RE) - Italy www.camlogic.it		Tel. 0522 942641		REV. 02

**EXTENSIONS**

Extension with external protection  
**PA : stainless steel**



Flexible extension  
**PF : galvanized steel**



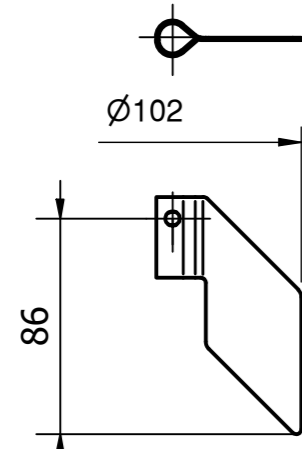
L1 [mm]
250
300
350
400
450
500
600
700
800
900
1000
1200
1500
1800
2000
2500
3000
other lengths available on request, up to 3m

L2 [mm]
500
600
700
800
900
1000
1200
1500
1800
2000
2500
3000
4000
5000
6000
7000
8000
9000
10000
11000
12000
other lengths available on request, up to 12m

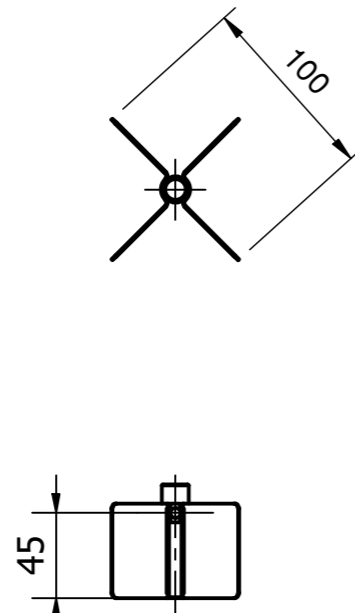
**NOTE** : lengths may slightly differ from the tables according to the type of connection, model and paddle chosen

02	15/06/26	Agg. generale + portata contatti	0022/26	Salati A.
REV.	DATA - Date	DESCRIZIONE MODIFICA - Description of the change	ID	DIS./VER. - Drawn/Checked
CODICE - Code 0602 0004 00		DESCRIZIONE - Description SCHEDE TECNICA PFG05AT		
DISEGNATO Drawn by Colli S.		SCALA Scale 1 : 2.5		
DATA Date 25/07/25		FORMATO Format A3		
LE DIMENSIONI SONO ESPRESSE IN mm SALVO DIVERSA INDICAZIONE All dimension are in mm unless otherwise indication		FOGLIO Sheet 3		DI Of 5
FILE CAD Cad File 0602_0004_00-02.idw		MASSA Mass 3.05		kg
Via dell' Industria, 12 42025 Cavriago (RE) - Italy www.camlogic.it		Tel. 0522 942641		REV. 02

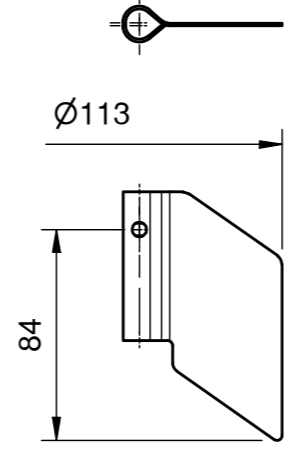
PADDLES



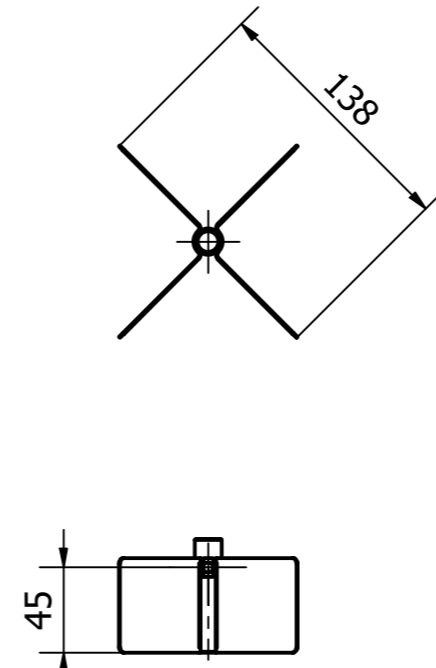
**AC1 INOX**  
AISI 304  
AISI 316  
density > 1.0 kg/dm3



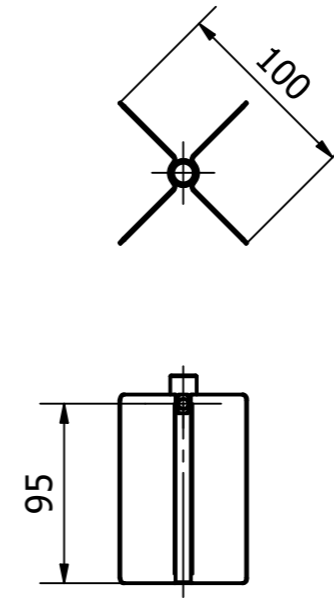
**AC3 INOX**  
AISI 304  
AISI 316  
density > 0.3 kg/dm3



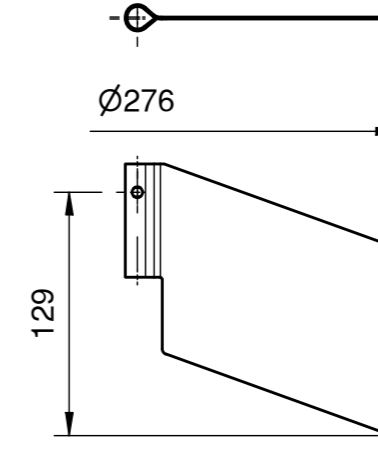
**AC4 INOX**  
AISI 304  
density > 0.5 kg/dm3



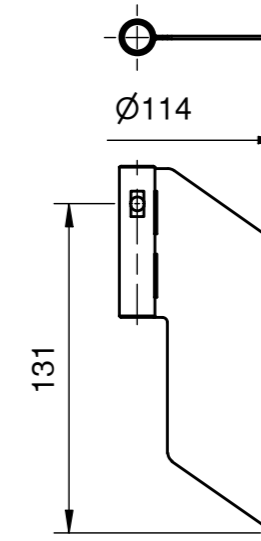
**AC5 INOX**  
AISI 304  
density > 0.2 kg/dm3



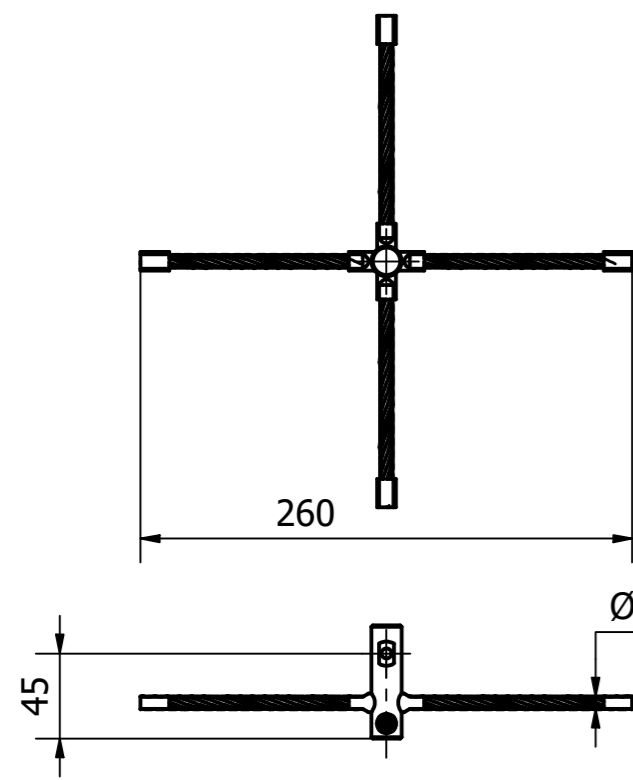
**AC5L INOX**  
AISI 304  
AISI 316  
density > 0.2 kg/dm3



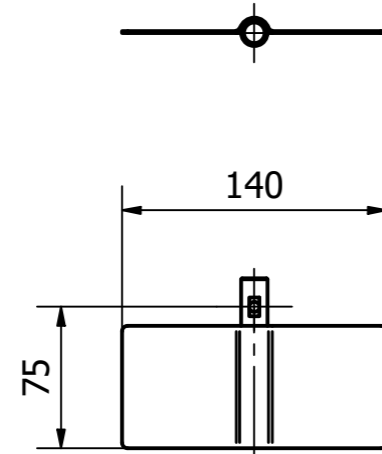
**AC6 INOX**  
AISI 304  
density > 0.1 kg/dm3



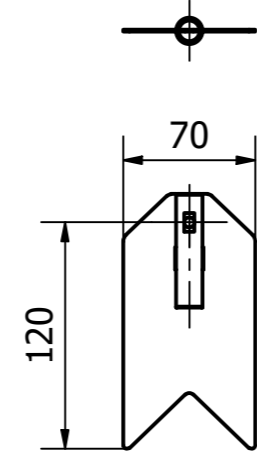
**AC7 INOX**  
AISI 304  
density > 0.3 kg/dm3



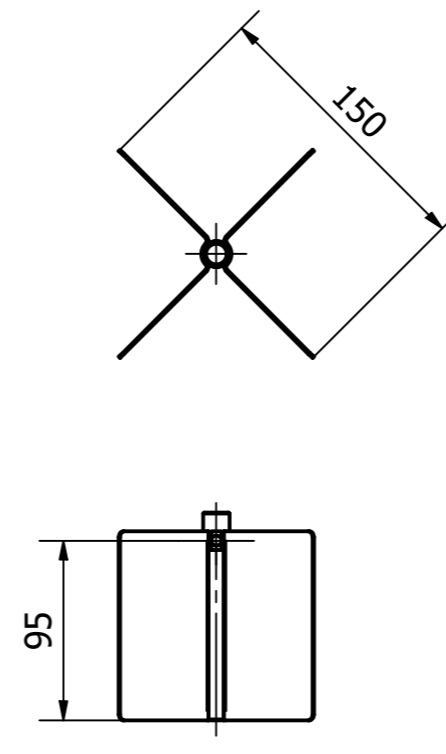
**AC8**  
galvanized steel (wires)  
density > 2.0 kg/dm3



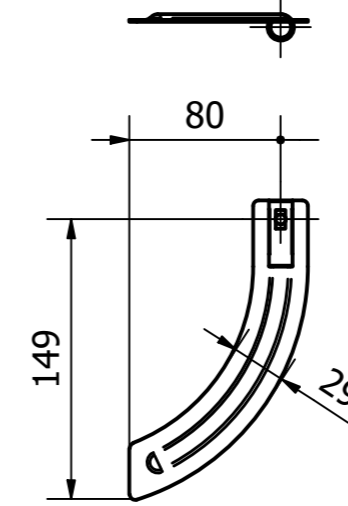
**AC9 INOX**  
AISI 304  
density > 0.2 kg/dm3



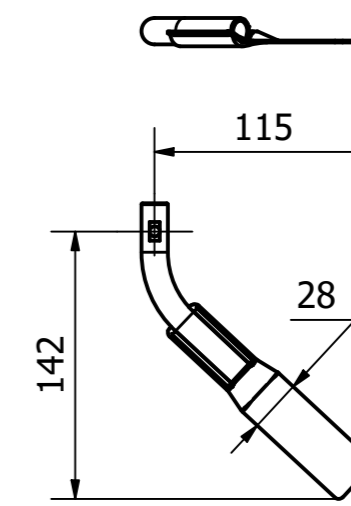
**AC10 INOX**  
AISI 304  
density > 0.6 kg/dm3



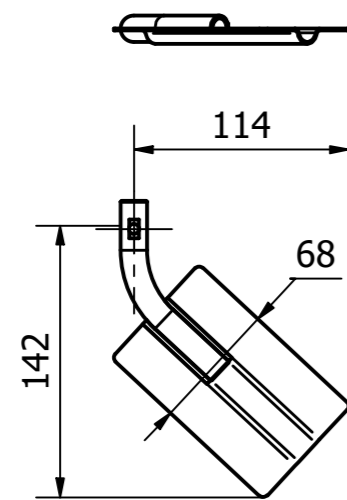
**AC11 INOX**  
AISI 304  
density > 0.1 kg/dm3



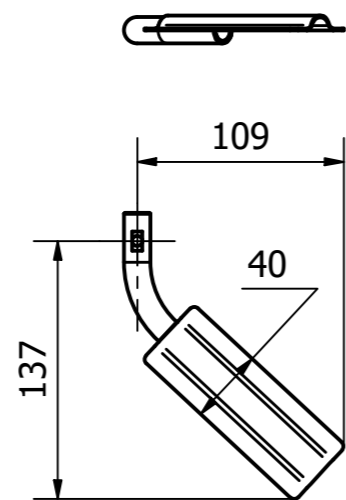
**AC12 INOX**  
AISI 304  
AISI 316  
density > 0.4 kg/dm3



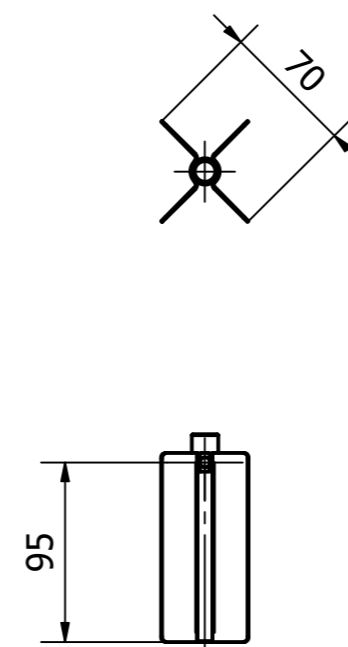
**AC14 INOX**  
AISI 304  
density > 0.4 kg/dm3



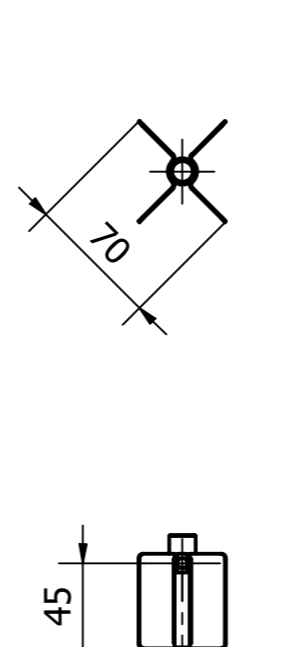
**AC15 INOX**  
AISI 304  
density > 0.2 kg/dm3



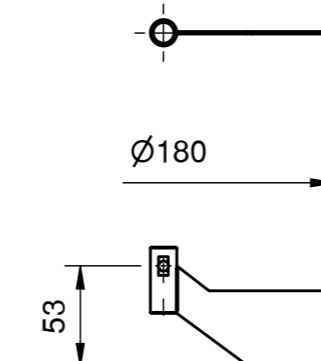
**AC16 INOX**  
AISI 304  
density > 0.3 kg/dm3



**AC17 INOX**  
AISI 304  
density > 0.4 kg/dm3



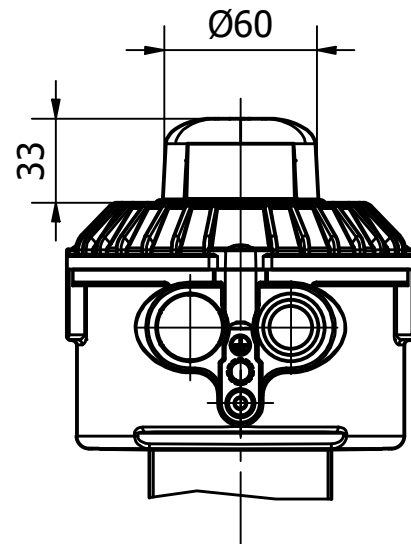
**AC18 INOX**  
AISI 304  
density > 0.7 kg/dm3



**AC21 INOX**  
AISI 304  
AISI 316  
density > 0.25 kg/dm3

02	15/06/26	Agg. generale + portata contatti	0022/26	Salati A.
REV.	DATA - Date	DESCRIZIONE MODIFICA - Description of the change	ID	DIS./VER. - Drawn/Checked
CODICE - Code 0602_0004_00		DESCRIZIONE - Description SCHEMA TECNICA PFG05AT		
DISEGNATO Drawn by Colli S.		SCALA Scale 1:3		
DATA Date 25/07/25		FORMATO Format A2		
LE DIMENSIONI SONO ESPRESSE IN mm SALVO DIVERSA INDICAZIONE All dimension are in mm unless otherwise indication		FOGLIO Sheet 4		
FILE CAD 0602_0004_00-02.idw		DI Of 5		
www.camlogic.it		MASSA Mass 0,03		
Tel. 0522 942641		REV. 02		

## OPTIONS



### SIGNAL LAMP (PFG05.../L)

Adds a LED lamp on top. The lamp could be connected to NC contact (MIN level - empty), or NO contact (MAX level - full).

Must define a single power supply voltage:

- 24 [V] AC/DC
- 48 [V] AC
- 115[V] AC
- 230[V] AC

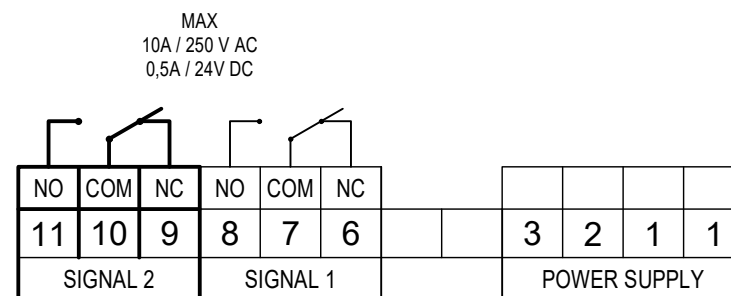
#### NOTE

Model with lamp can be installed only in Atex zone 22

Marking: Ex II 3 D Ex tc IIIB T85°C Dc

### DOUBLE DRY CONTACT

Adds a second signal contact SPDT (terminals 9-10-11)



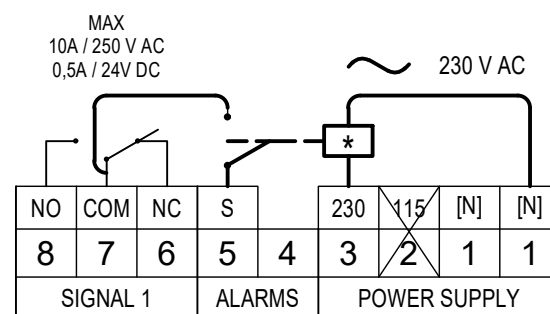
### VOLTAGE CONTROL (PBC version > V5)

Adds an alarm in case of power supply failure.

When power supply is ON, a realy closes terminals 5 and 7

Must define a single power supply voltage (\*):

- 24 [V] AC/DC
- 48 [V] AC
- 115 [V] AC
- 230 [V] AC



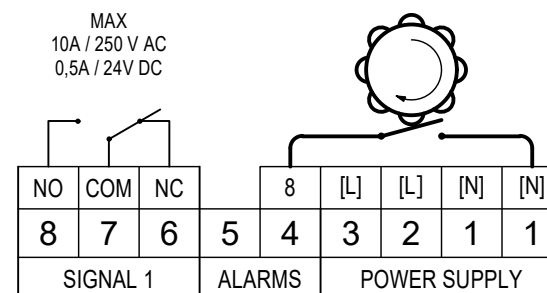
e.g. 230V voltage control:  
 $V_{13} (V1-V3) = 230V / V5 = V7$   
 $V_{13} (V1-V3) = 0V / V5 = 0$

### ROTATION CONTROL

Adds a signal to indicate shaft rotation.

When the shaft rotates, a microswitch generates a pulse signal (8 pulse / rotation) between terminals 1 and 4.

On request, it is possible to have the pulsed signal between terminals 4 and 7.



e.g. Rotation control:  
 Rotation ON - 8 [pulse/rnd]  
 Rotation OFF - no pulse

### LOW TEMPERATURE (PFG05.../B)

Extends the range of use of the indicator down to a minimum temperature of -40°C.

Intelligent automatic operation: when the temperature exceeds +20°C it stops heating (heating OFF), it is reactivated when the temperature falls again below +20°C (heating ON).

Must define a single power supply voltage:

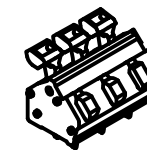
- 24 [V] AC/DC
- 48 [V] AC
- 115[V] AC
- 230[V] AC

### SPRING TERMINAL BLOCK

Terminals with spring terminal design.

No tool needed for wires connection.

0.13 - 2.5 mm<sup>2</sup> (AWG26 - AWG14)

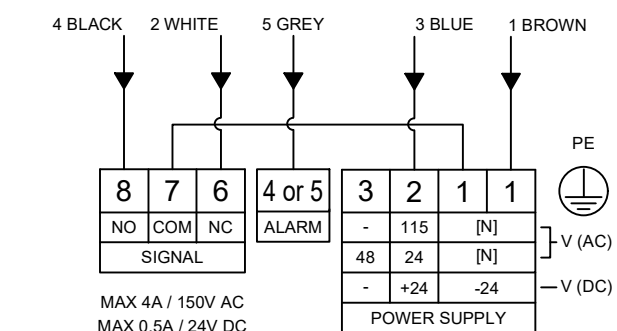
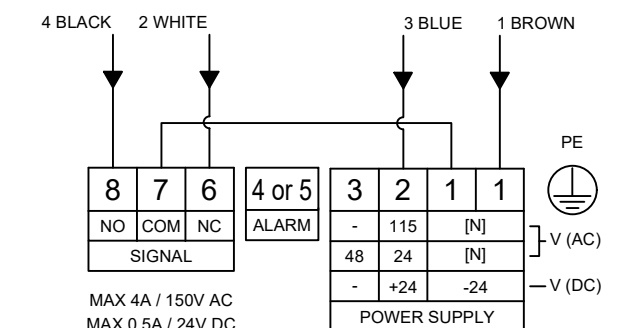
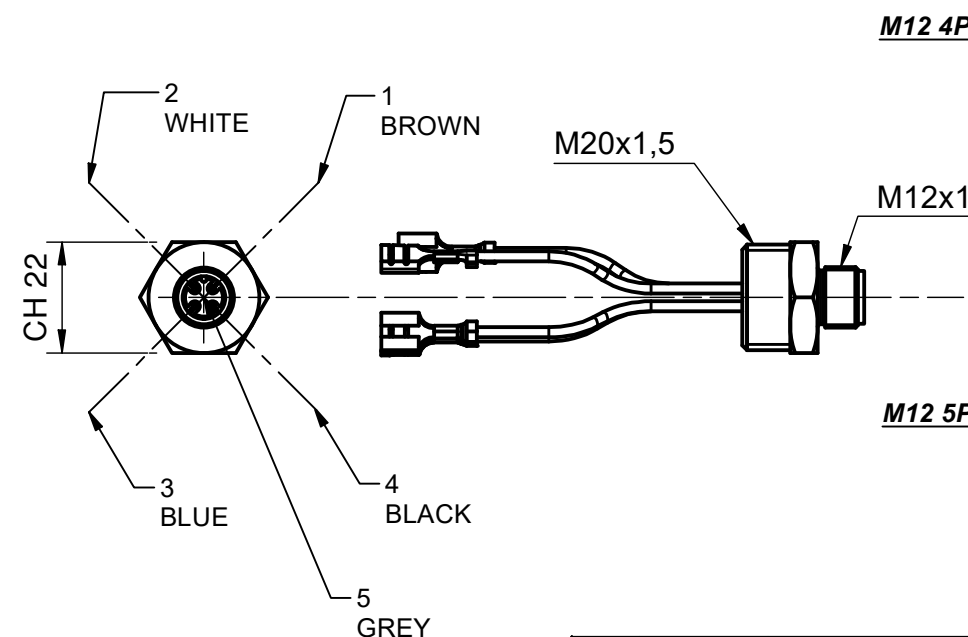


### 4rpm GEARMOTOR

Increase paddle speed (4rpm) to reduce product detection delay time (response time about 1.5s)

### M12 CIRCULAR CONNECTOR

Through a M20x1,5 threaded reduction mounted in one of the cable entries of the level indicato, it is possible to use the 4/5 poles M12 connector for a quick and reliable connection. Available only for 24 V power supply (DC), maximum contacts capacity 4A.



02	15/06/26	Agg. generale + portata contatti	0022/26	Salati A.
REV.	DATA - Date	DESCRIZIONE MODIFICA - Description of the change	ID	DIS./VER. - Drawn/Checked
CODICE - Code 0602_0004_00		DESCRIZIONE - Description SCHEDA TECNICA PFG05AT		
DISEGNATO Drawn by Colli S.		SCALA Scale 1:3		
DATA Date 25/07/25		FORMATO Format A3		
LE DIMENSIONI SONO ESPRESSE IN mm SALVO DIVERSA INDICAZIONE All dimension are in mm unless otherwise indicated		FOGLIO Sheet 5 Of 5		
FILE CAD Cad File 0602_0004_00-02.idw		MASSA Mass 2,05 kg		
Via dell' Industria, 12 42025 Cavriago (RE) - Italy www.camlogic.it		REV. 02		