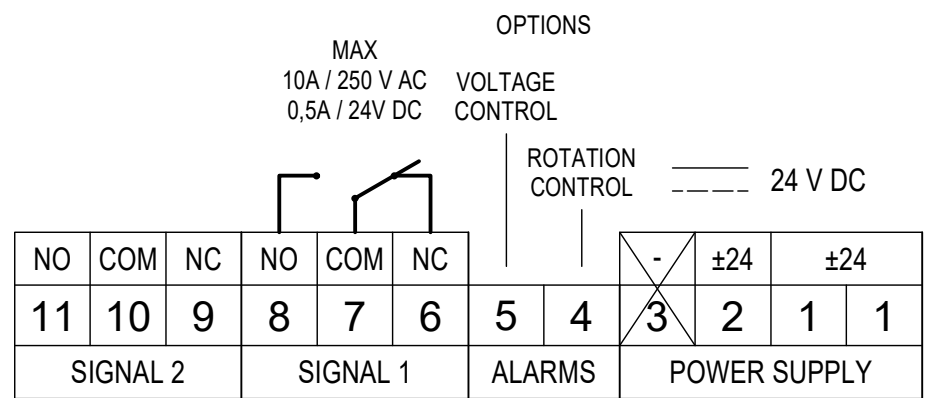
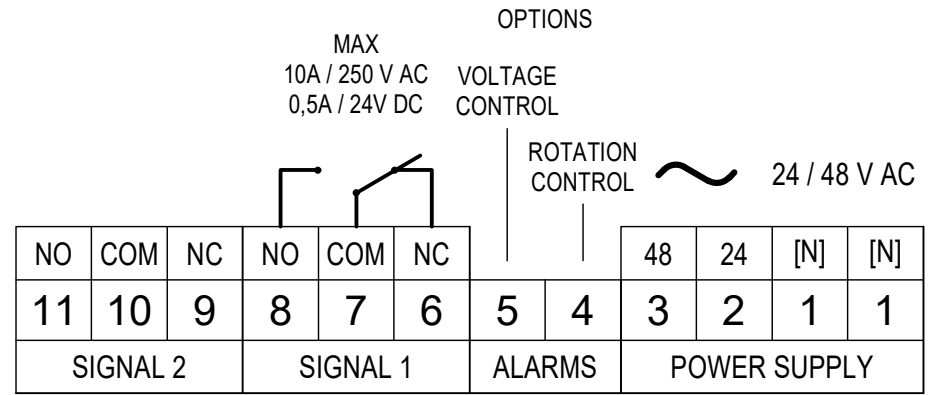
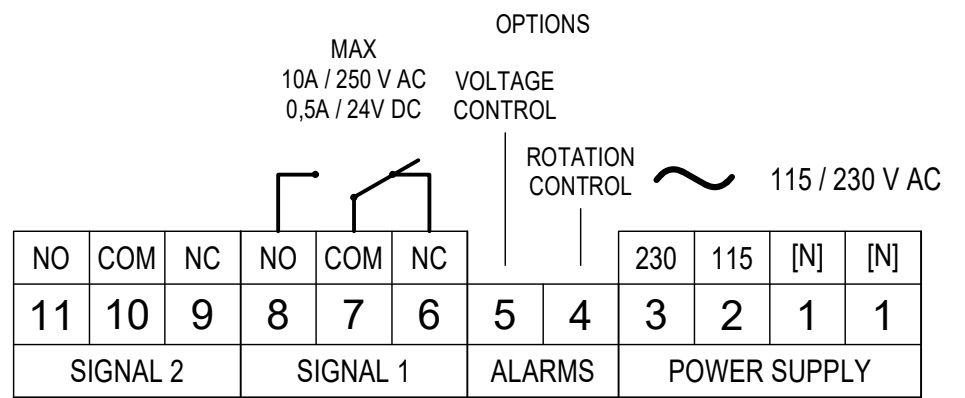
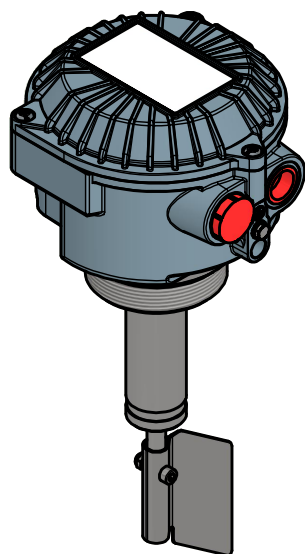


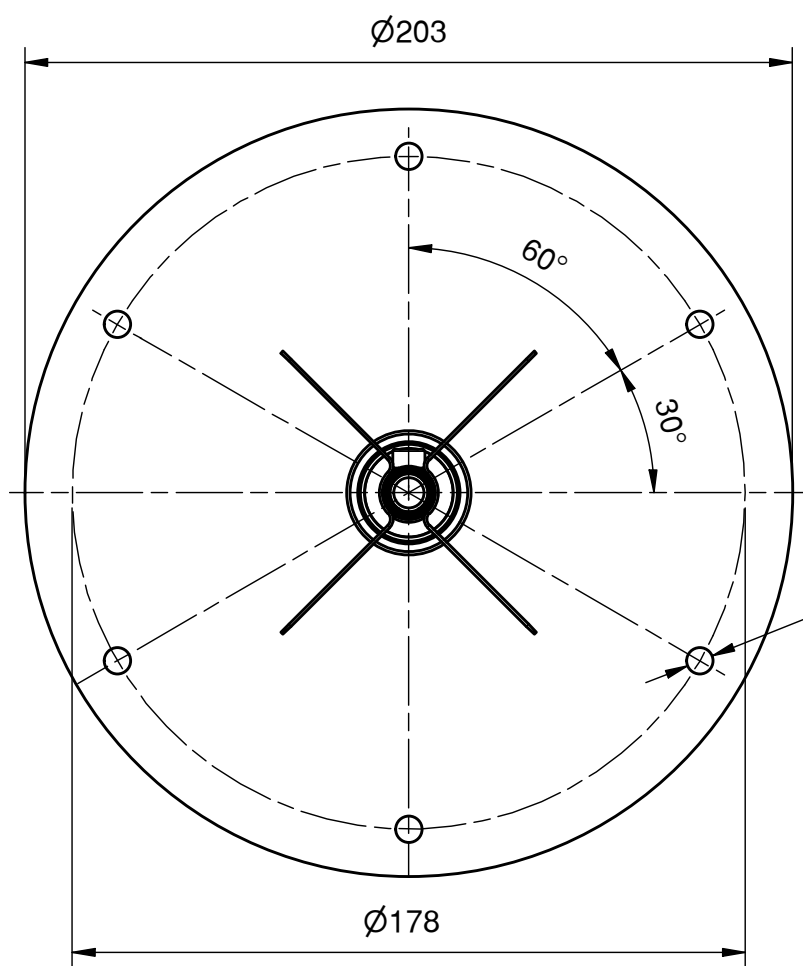
PFG05X



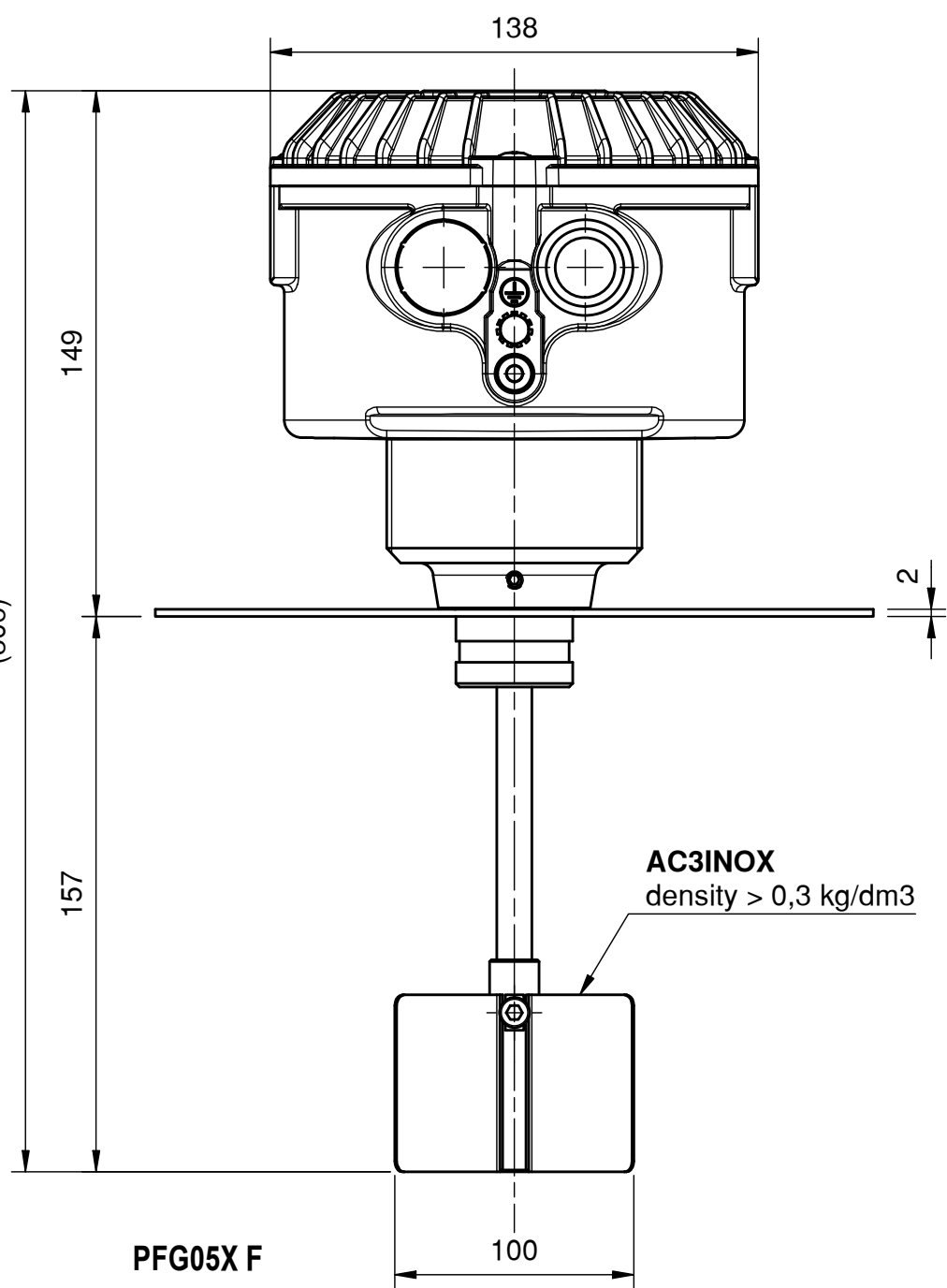
TERMINALS: male FASTON (.250 series / 6,3x0,8 mm)

Model	PFG05X
Weight	2,90 [kg]
Power supply	- Bivoltage 115/230[V] (50...60Hz) - Bivoltage 24/48[V] (50...60Hz) - DC 24[V]
Consumption	4 [W] max
Signal	SPDT / max. 10[A]-250VAC / 0,5[A]-24VDC
IP grade	IP65
Housing	Aluminium (powder coated)
Connection	G 2" 1/2 - AISI304/AISI316
Ambient temperature	-20 < Ta < +70 [°C] -40 < Ta < +70 [°C] LOW TEMPERATURE VERSION ONLY
Process temperature	-20 < Tp < +70 [°C]
Pressure range	+0,8 ... +1,1 bar [abs] +0.8 ... +5 bar [abs] (non-ATEX version)
Directives	2011/65/EU (RoHS) 2014/30/EU (EMC) 2014/34/EU (ATEX) 2014/35/EU (LVD)
ATEX Marking	Ex II 1/2 D Ex ta/tb IIIC T85°C IP65Da/Db Ex II 3 D Ex tc IIIB T85°C Dc (Lamp version)
IECEX Marking	Ex ta/tb IIIC T85°C Da/Db

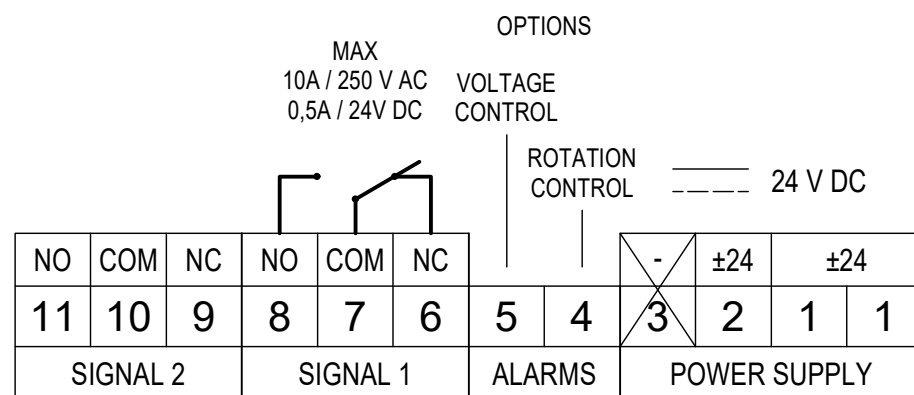
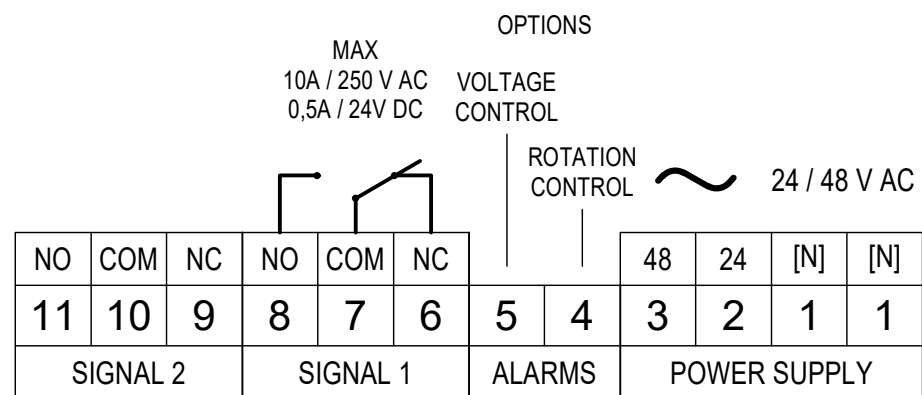
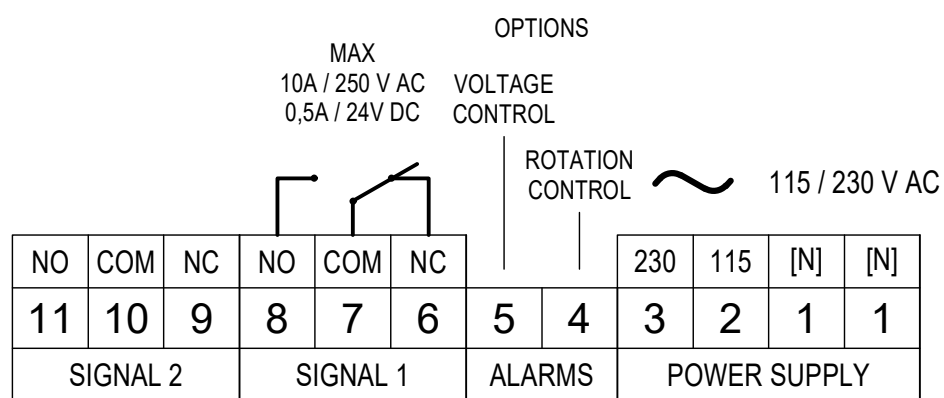
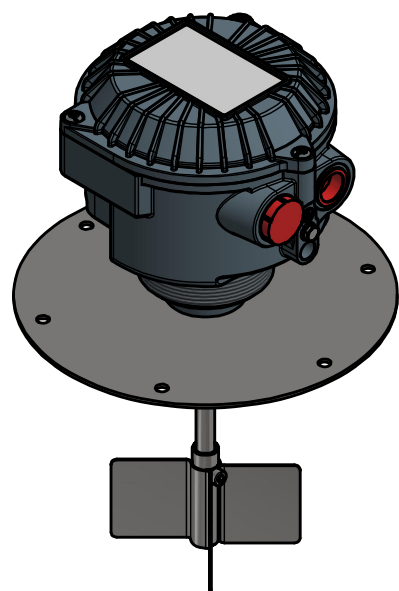
03	12/06/26	Agg. generale + portata contatti	0022/26	Salati A.
REV.	DATA - Date	DESCRIZIONE MODIFICA - Description of the change	ID	DIS./VER. - Drawn/Checked
CODICE - Code		DESCRIZIONE - Description		
0602 0003 00		SCHEDE TECNICA PFG05X		
DISEGNATO Drawn by Colli S.		SCALA Scale 1:2		
DATA Date 25/07/25		FORMATO Format A3		
LE DIMENSIONI SONO ESPRESSE IN mm SALVO DIVERSA INDICAZIONE All dimension are in mm unless otherwise indication		FOGLIO Sheet 1		DI Of 5
FILE CAD Cad File 0602_0003_00-03.idw		MASSA Mass 2,94		kg
Via dell' Industria, 12 42025 Cavriago (RE) - Italy www.camlogic.it		Tel. 0522 942641		REV. 03



N. 6 Ø7



PFG05X F



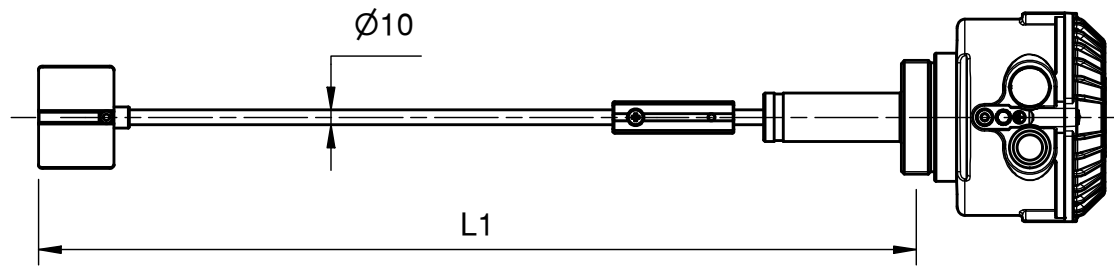
TERMINALS: male FASTON (.250 series / 6,3x0,8 mm)

Model	PFG05X F
Weight	2,30 [kg]
Power supply	- Bivoltage 115/230[V] (50...60Hz) - Bivoltage 24/48[V] (50...60Hz) - DC 24[V]
Consumption	4 [W] max
Signal	SPDT / max. 10[A]-250VAC / 0,5[A]-24VDC
IP grade	IP65
Housing	Aluminium (powder coated)
Connection	Flange - AISI304/AISI316
Ambient temperature	-20 < Ta < +70 [°C] -40 < Ta < +70 [°C] LOW TEMPERATURE VERSION ONLY
Process temperature	-20 < Tp < +70 [°C]
Pressure range	+0,8 ... +1,1 bar [abs] +0.8 ... +5 bar [abs] (non-ATEX version)
Directives	2011/65/EU (RoHS) 2014/30/EU (EMC) 2014/34/EU (ATEX) 2014/35/EU (LVD)
ATEX Marking	Ex II 1/2 D Ex ta/tb IIIC T85°C IP65Da/Db Ex II 3 D Ex tc IIIB T85°C Dc (Lamp version)
IECEX Marking	Ex ta/tb IIIC T85°C Da/Db

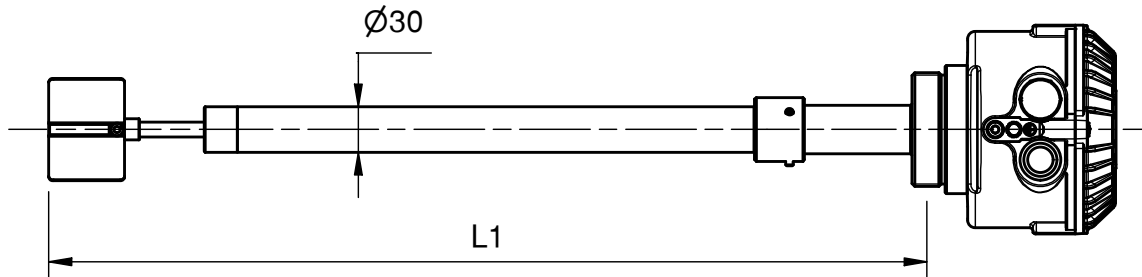
03	12/06/26	Agg. generale + portata contatti	0022/26	Salati A.
REV.	DATA - Date	DESCRIZIONE MODIFICA - Description of the change	ID	DIS./VER. - Drawn/Checked
CODICE - Code		DESCRIZIONE - Description		
0602 0003 00		SCHEDE TECNICA PFG05X		
DISEGNATO Drawn by Colli S.		SCALA Scale 1:2		
DATA Date 25/07/25		FORMATO Format A3		
LE DIMENSIONI SONO ESPRESSE IN mm SALVO DIVERSA INDICAZIONE All dimension are in mm unless otherwise indication		FOGLIO Sheet 2		DI Of 5
FILE CAD Cad File 0602_0003_00-03.idw		MASSA Mass 2,94		kg
Via dell' Industria, 12 42025 Cavriago (RE) - Italy www.camlogic.it		Tel. 0522 942641		REV. 03

EXTENSION

Extension w/o protection
PSPX : stainless steel
 (AISI 304 / AISI 316)



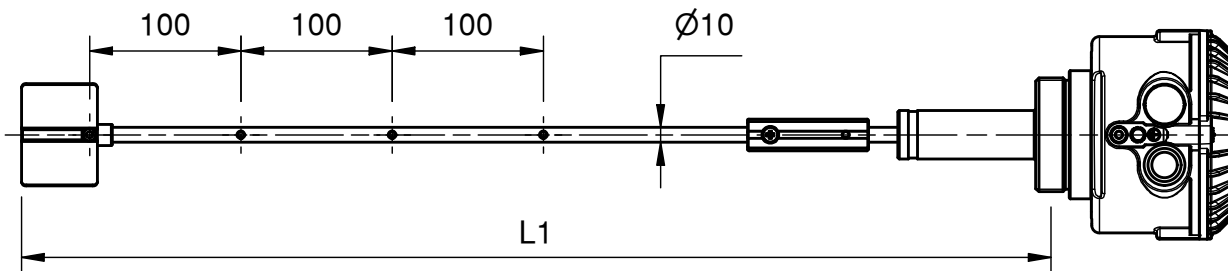
Extension with external protection
PCPX : stainless steel
 (AISI 304 / AISI 316)



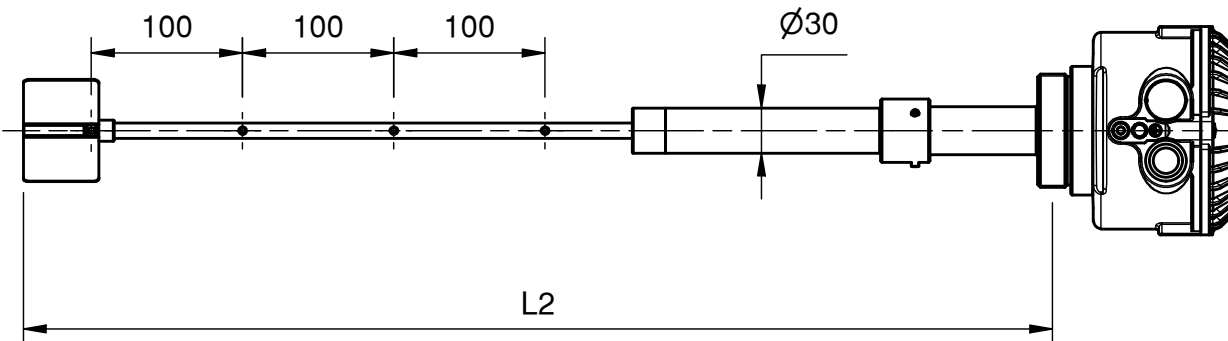
L1 [mm]
300
400
500
600
700
800
900
1000
1200
1500
1800
2000
2500
3000
other lengths available on request, up to 3m

L2 [mm]

600
700
800
900
1000
1200
1500
1800
2000
2500
3000
other lengths available on request, up to 3m



Adjustable extension w/o protection
PRSX : stainless steel
 (AISI 304 / AISI 316)

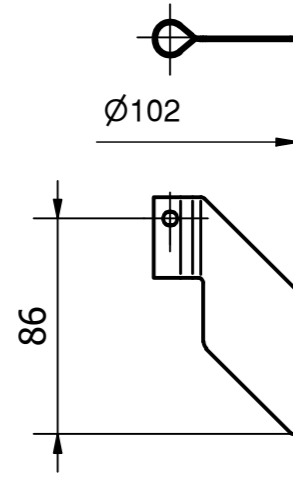


Extension with external protection
PRPX : stainless steel
 (AISI 304 / AISI 316)

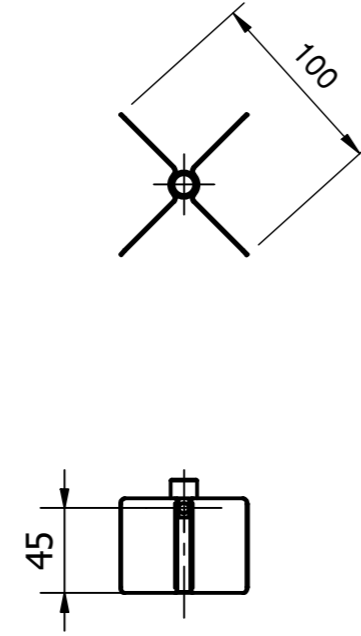
NOTE : lengths may slightly differ from the tables according to the type of connection, model and paddle chosen

03	12/06/26	Agg. generale + portata contatti	0022/26	Salati A.
REV.	DATA - Date	DESCRIZIONE MODIFICA - Description of the change	ID	DIS./VER. - Drawn/Checked
CODICE - Code 0602 0003 00		DESCRIZIONE - Description SCHEDA TECNICA PFG05X		
DISEGNATO Drawn by Colli S.		SCALA Scale 1 : 5		
DATA Date 25/07/25		FORMATO Format A3		
LE DIMENSIONI SONO ESPRESSE IN mm SALVO DIVERSA INDICAZIONE All dimension are in mm unless otherwise indication		FOGLIO Sheet 3 Of 5		REV. 03
Via dell' Industria, 12 42025 Cavriago (RE) - Italy www.camlogic.it		FILE CAD Cad File 0602_0003_00-03.idw		MASSA Mass 2,94 kg
Tel. 0522 942641		IL DISEGNO E' DI PROPRIETA' DI CAMLogic Srl CONTIENE INFORMAZIONI RISERVATE CHE NON POSSONO ESSERE COPIATE O COMUNICATE A TERZI SENZA AUTORIZZAZIONE This drawing is CAMLogic Srl property and contains confidential information that may not be copied or disclosed to third parties without permission		

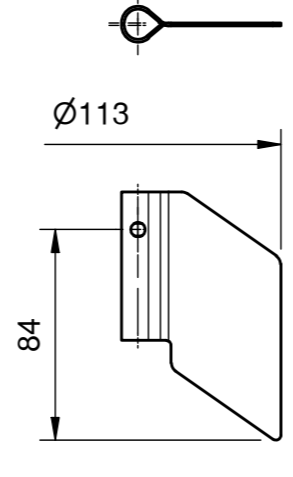
PADDLES



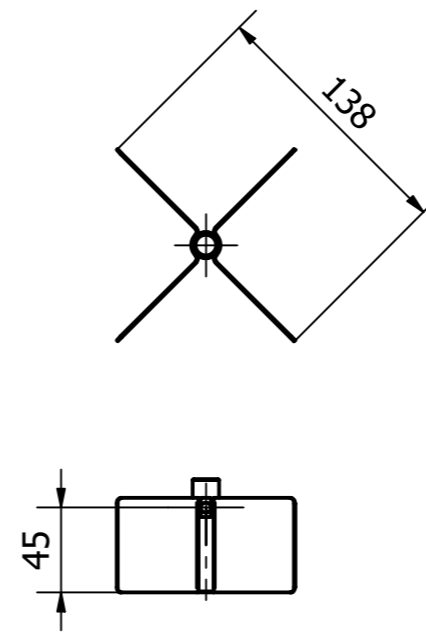
AC1 INOX
AISI 304
AISI 316
density > 1.0 kg/dm3



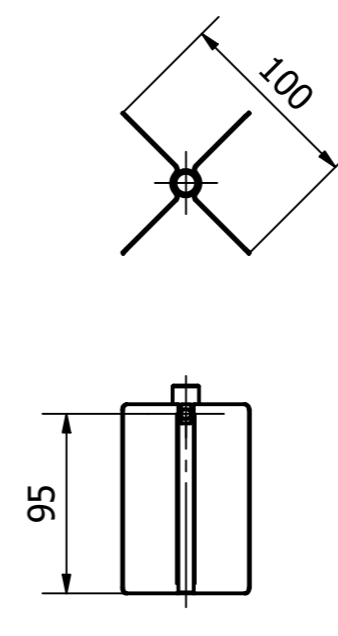
AC3 INOX
AISI 304
AISI 316
density > 0.3 kg/dm3



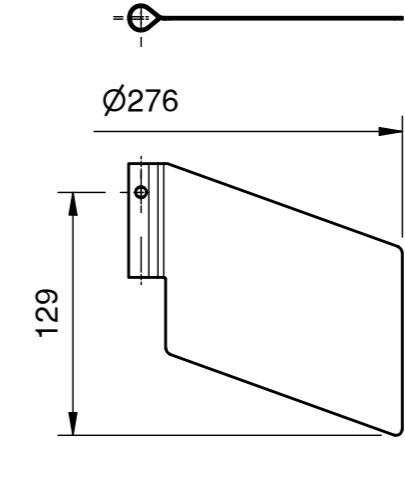
AC4 INOX
AISI 304
density > 0.5 kg/dm3



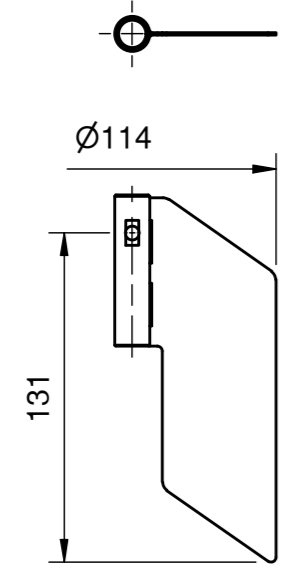
AC5 INOX
AISI 304
density > 0.2 kg/dm3



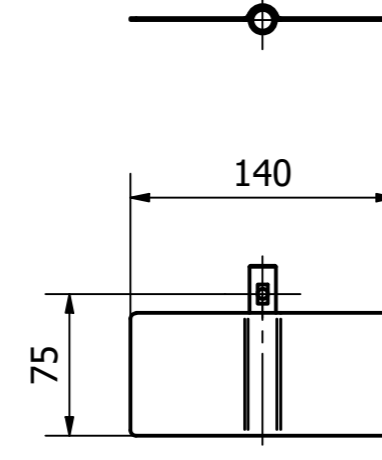
AC5L INOX
AISI 304
AISI 316
density > 0.2 kg/dm3



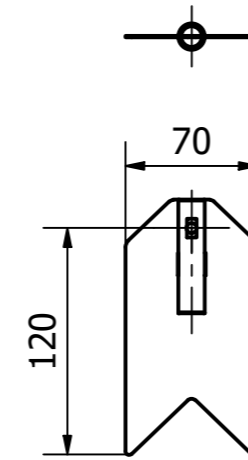
AC6 INOX
AISI 304
density > 0.1 kg/dm3



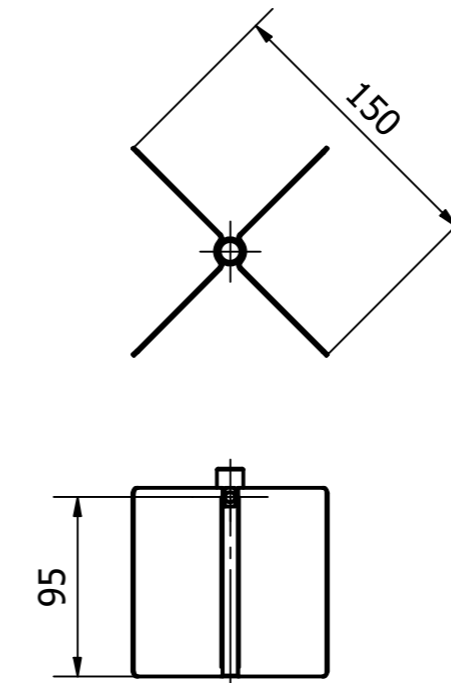
AC7 INOX
AISI 304
density > 0.3 kg/dm3



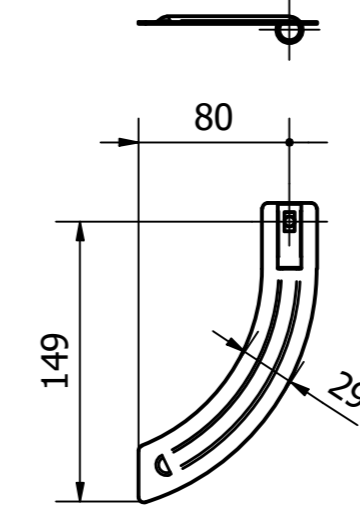
AC9 INOX
AISI 304
density > 0.2 kg/dm3



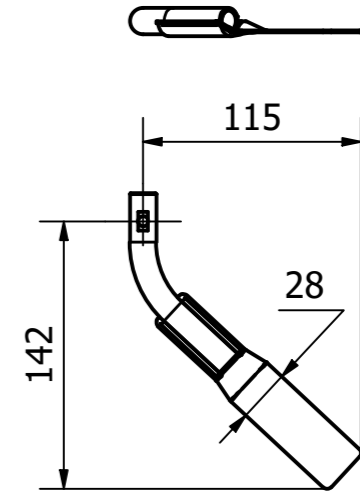
AC10 INOX
AISI 304
density > 0.6 kg/dm3



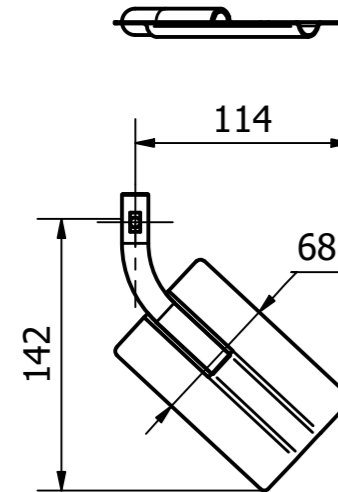
AC11 INOX
AISI 304
density > 0.1 kg/dm3



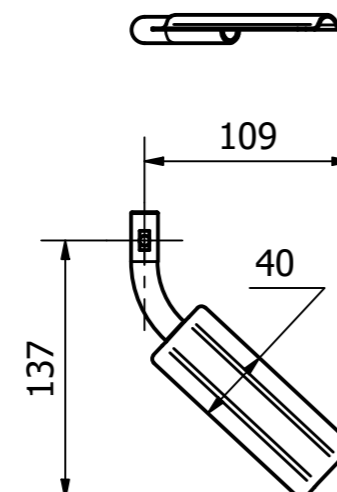
AC12 INOX
AISI 304
AISI 316
density > 0.4 kg/dm3



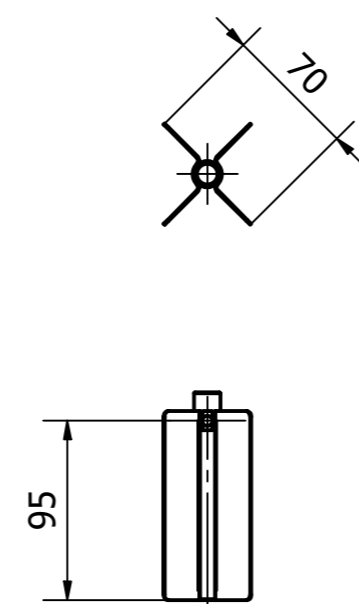
AC14 INOX
AISI 304
density > 0.4 kg/dm3



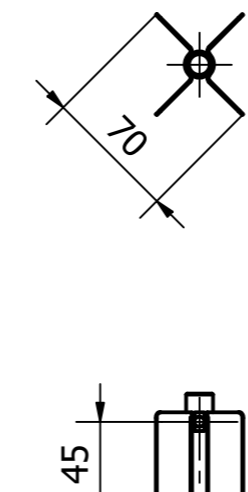
AC15 INOX
AISI 304
density > 0.2 kg/dm3



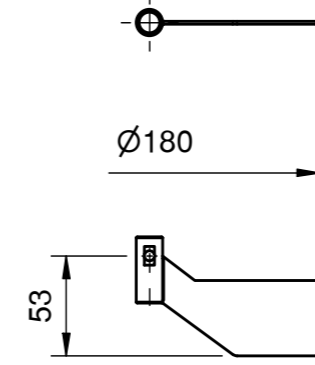
AC16 INOX
AISI 304
density > 0.3 kg/dm3



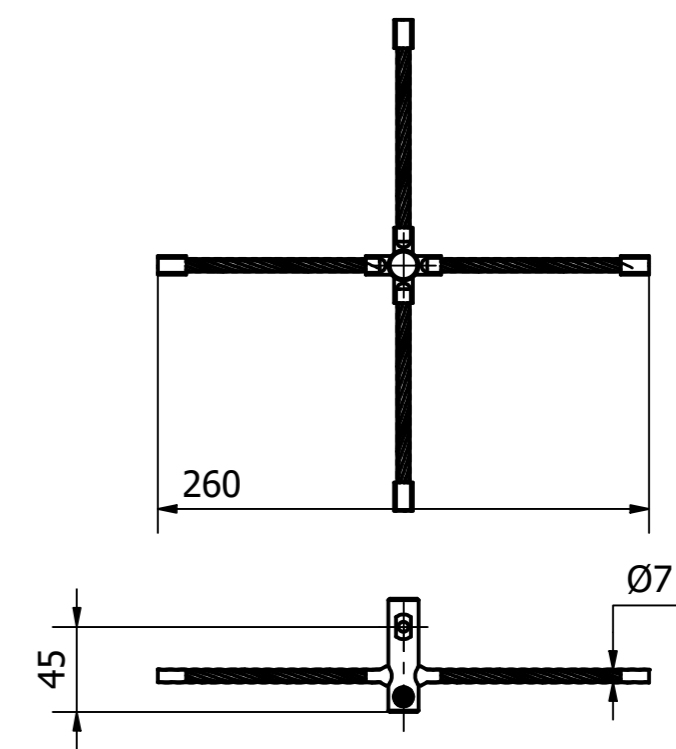
AC17 INOX
AISI 304
density > 0.4 kg/dm3



AC18 INOX
AISI 304
density > 0.7 kg/dm3



AC21 INOX
AISI 304
AISI 316
density > 0.25 kg/dm3

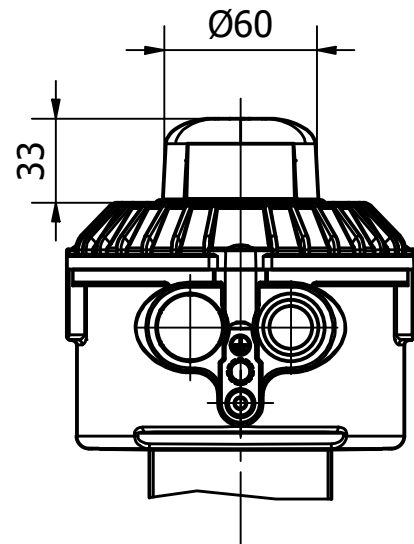


AC8
galvanized steel (wires)
density > 2.0 kg/dm3

03	12/06/26	Agg. generale + portata contatti	0022/26	Salati A.
REV.	DATA - Date	DESCRIZIONE MODIFICA - Description of the change	ID	DIS./VER. - Drawn/Checked
CODICE - Code 0602_0003_00		DESCRIZIONE - Description SCHEDA TECNICA PFG05X		
DISEGNATO Drawn by Colli S.		SCALA Scale 1:3		
DATA Date 25/07/25		FORMATO Format A2		
LE DIMENSIONI SONO ESPRESSE IN mm SALVO DIVERSA INDICAZIONE All dimension are in mm unless otherwise indication		FOGLIO Sheet 4		DI Of 5
FILE CAD 0602_0003_00-03.idw		MASSA Mass 2,94		REV. 03
<small> Via dell'Industria, 12 42025 Cavriago (RE) - Italy www.camlogic.it Tel. 0522 942641 </small>				

IL DISEGNO E' DI PROPRIETA' DI CAMLogic Srl. CONTIENE INFORMAZIONI RISERVATE CHE NON POSSONO ESSERE COPIATE O COMUNICATE A TERZI SENZA AUTORIZZAZIONE. This drawing is CAMLogic Srl property and contains confidential information that may not be copied or disclosed to third parties without permission.

OPTIONS



SIGNAL LAMP (PFG05.../L)

Adds a LED lamp on top. The lamp could be connected to NC contact (MIN level - empty), or NO contact (MAX level - full).

Must define a single power supply voltage:

- 24 [V] AC/DC
- 48 [V] AC
- 115[V] AC
- 230[V] AC

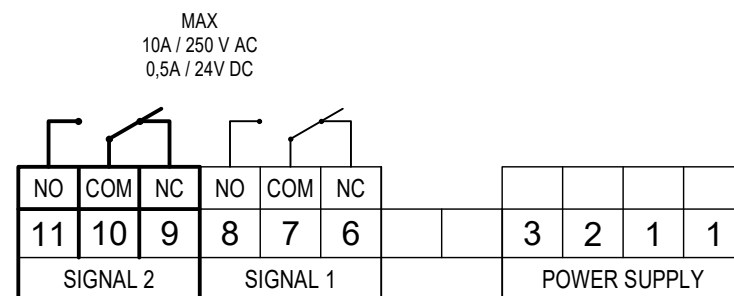
NOTE

Model with lamp can be installed only in Atex zone 22

Marking: Ex II 3 D Ex tc IIIB T85°C Dc

DOUBLE DRY CONTACT

Adds a second signal contact SPDT (terminals 9-10-11)



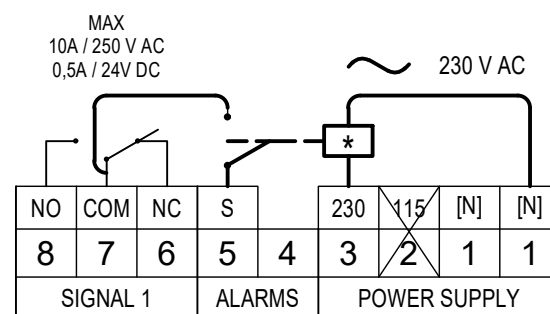
VOLTAGE CONTROL (PBC version > V5)

Adds an alarm in case of power supply failure.

When power supply is ON, a realy closes terminals 5 and 7

Must define a single power supply voltage (*):

- 24 [V] AC/DC
- 48 [V] AC
- 115 [V] AC
- 230 [V] AC



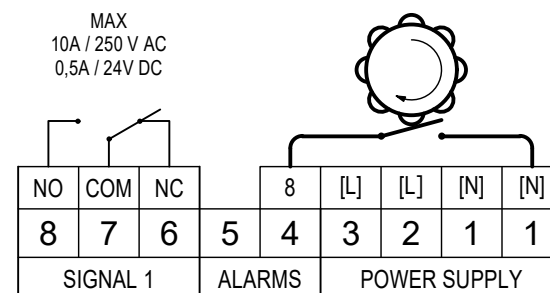
e.g. 230V voltage control:
 $V_{13} (V1-V3) = 230V / V5 = V7$
 $V_{13} (V1-V3) = 0V / V5 = 0$

ROTATION CONTROL

Adds a signal to indicate shaft rotation.

When the shaft rotates, a microswitch generates a pulse signal (8 pulse / rotation) between terminals 1 and 4.

On request, it is possible to have the pulsed signal between terminals 4 and 7.



e.g. Rotation control:
 Rotation ON - 8 [pulse/rnd]
 Rotation OFF - no pulse

LOW TEMPERATURE (PFG05.../B)

Extends the range of use of the indicator down to a minimum temperature of -40°C.

Intelligent automatic operation: when the temperature exceeds +20°C it stops heating (heating OFF), it is reactivated when the temperature falls again below +20°C (heating ON).

Must define a single power supply voltage:

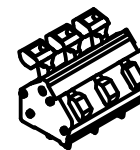
- 24 [V] AC/DC
- 48 [V] AC
- 115[V] AC
- 230[V] AC

SPRING TERMINAL BLOCK

Terminals with spring terminal design.

No tool needed for wires connection.

0.13 - 2.5 mm² (AWG26 - AWG14)

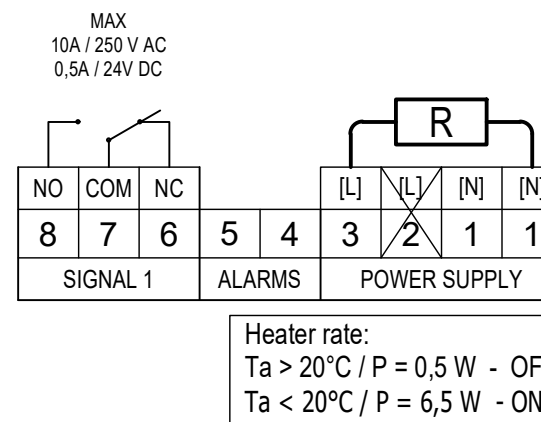
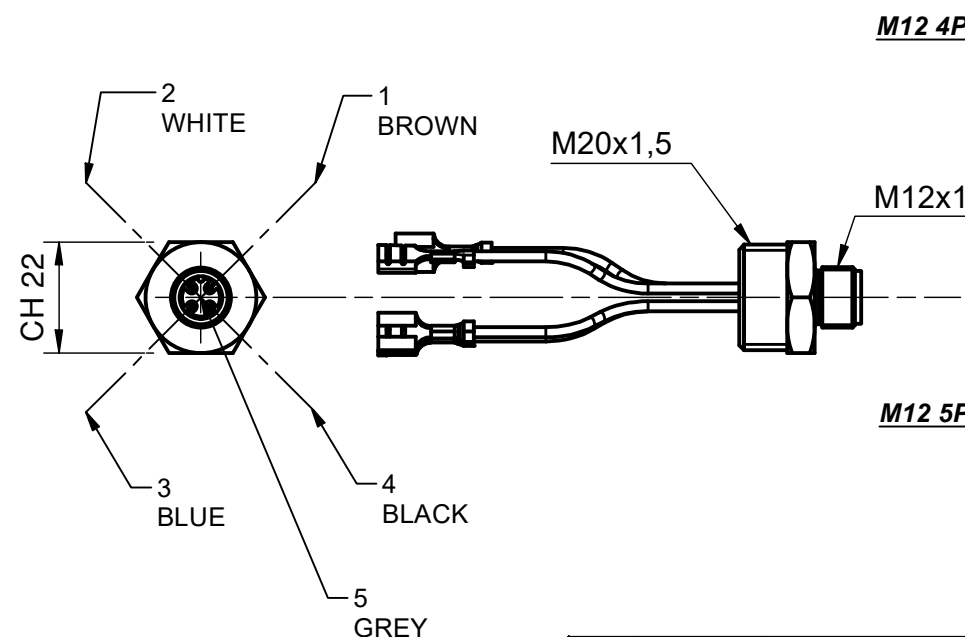


4rpm GEARMOTOR

Increase paddle speed (4rpm) to reduce product detection delay time (response time about 1.5s)

M12 CIRCULAR CONNECTOR

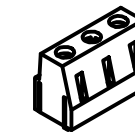
Through a M20x1,5 threaded reduction mounted in one of the cable entries of the level indicato, it is possible to use the 4/5 poles M12 connector for a quick and reliable connection. Available only for 24 V power supply (DC), maximum contacts capacity 4A.



SCREW TERMINAL BLOCK

Terminals with screw terminal design (flat head).

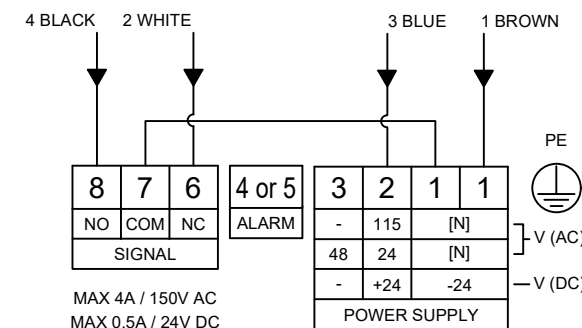
0.05 - 2.5 mm² (AWG30 - AWG12)



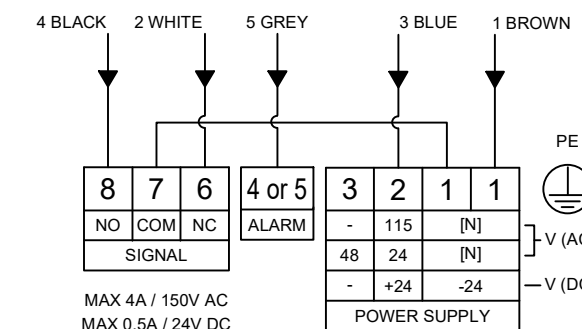
CONDENSATION FILTER

It allows exchange of air temperature and pressure with the ambient, preventing the formation of condensation. The option does not alter the IP grade and the Ex marking of the advice.

M12 4P



M12 5P



03	12/06/26	Agg. generale + portata contatti	0022/26	Salati A.
REV.	DATA - Date	DESCRIZIONE MODIFICA - Description of the change	ID	DIS./VER. - Drawn/Checked
CODICE - Code 0602_0003_00		DESCRIZIONE - Description SCHEDA TECNICA PFG05X		
DISEGNATO Drawn by Colli S.		SCALA Scale 1:3		
DATA Date 25/07/25		FORMATO Format A3		
LE DIMENSIONI SONO ESPRESSE IN mm SALVO DIVERSA INDICAZIONE All dimension are in mm unless otherwise indicated		FOGLIO Sheet 5 Of 5		
Via dell' Industria, 12 42025 Cavriago (RE) - Italy www.camlogic.it		REV. Mass 2,94 kg 03		
Tel. 0522 942641		FILE CAD 0602_0003_00-03.idw		