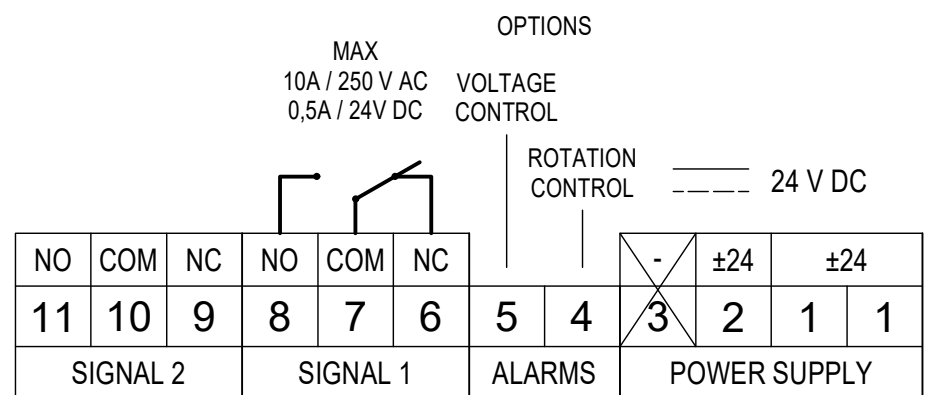
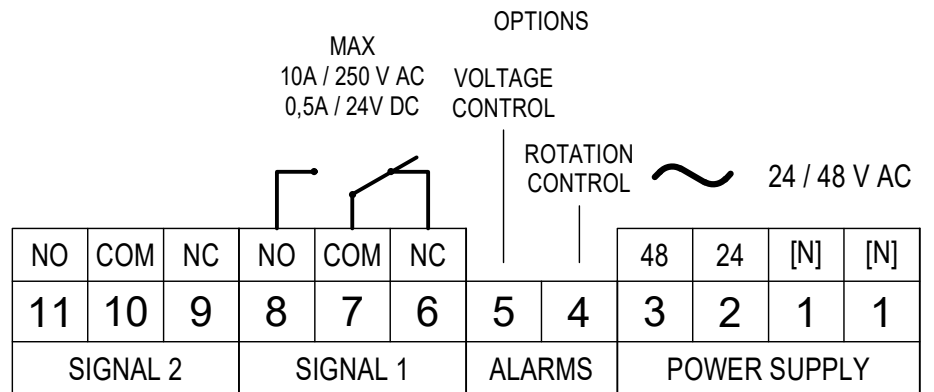
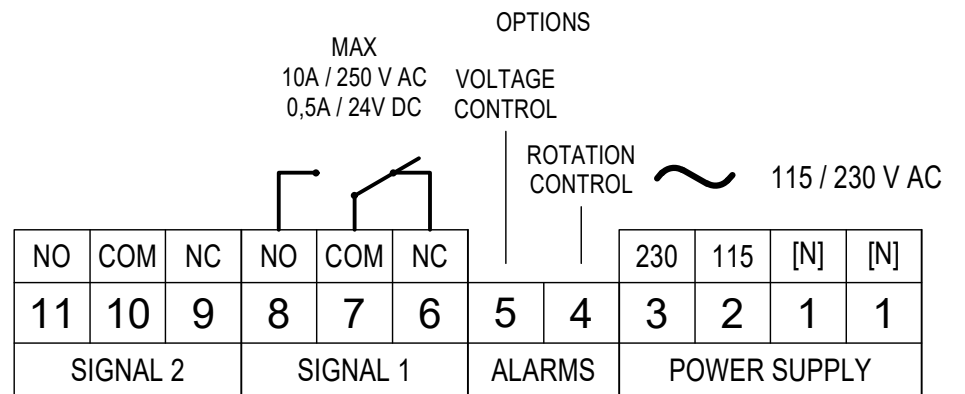
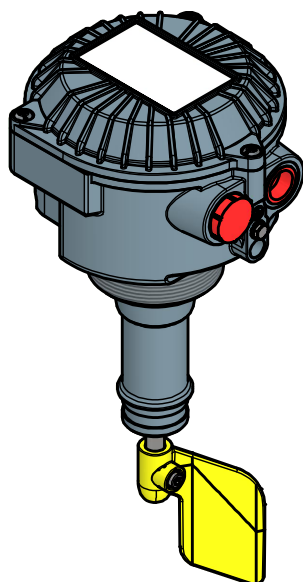


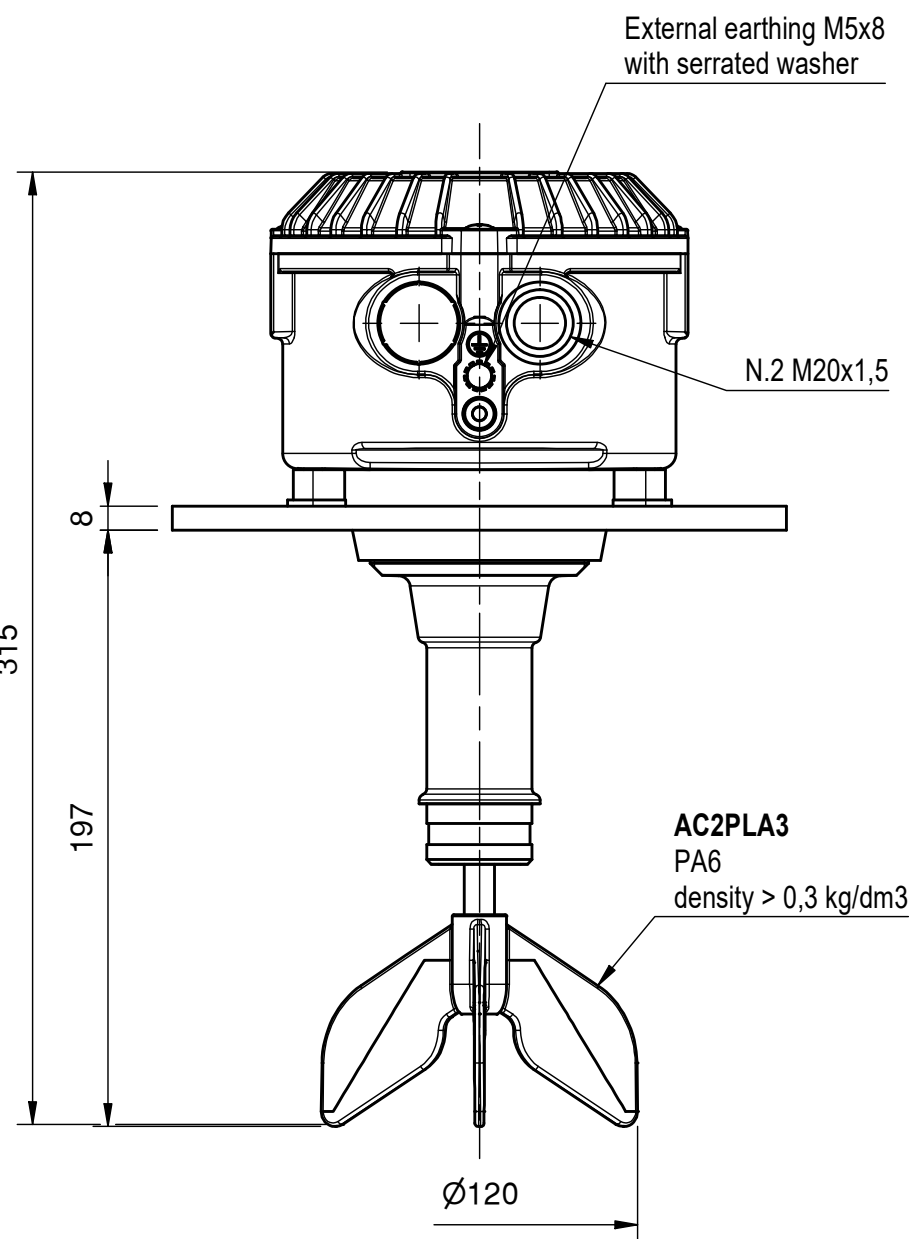
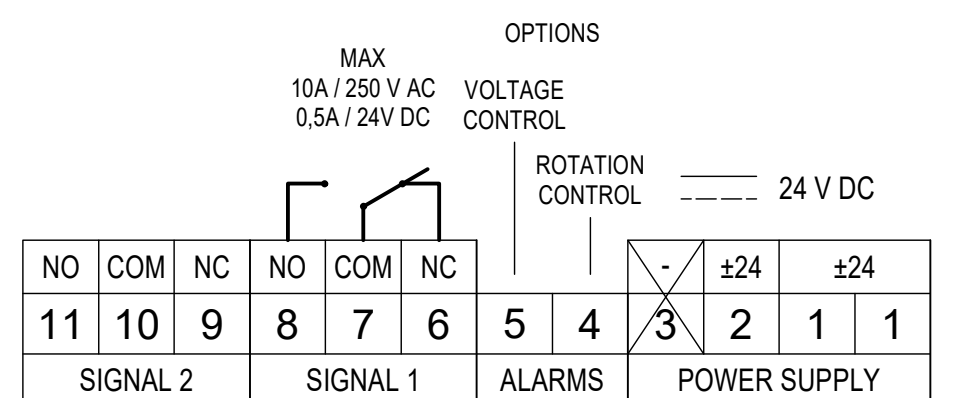
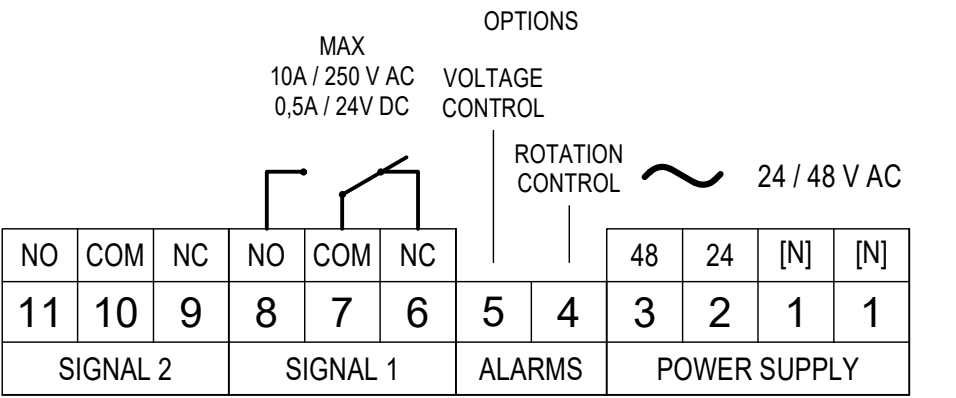
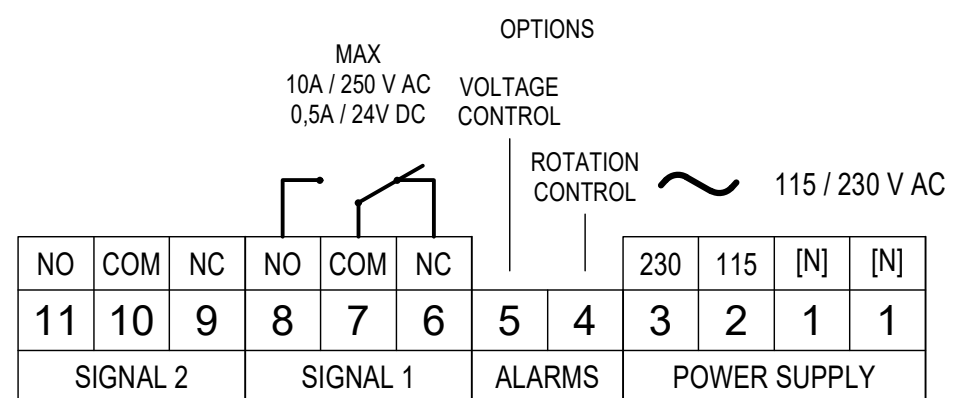
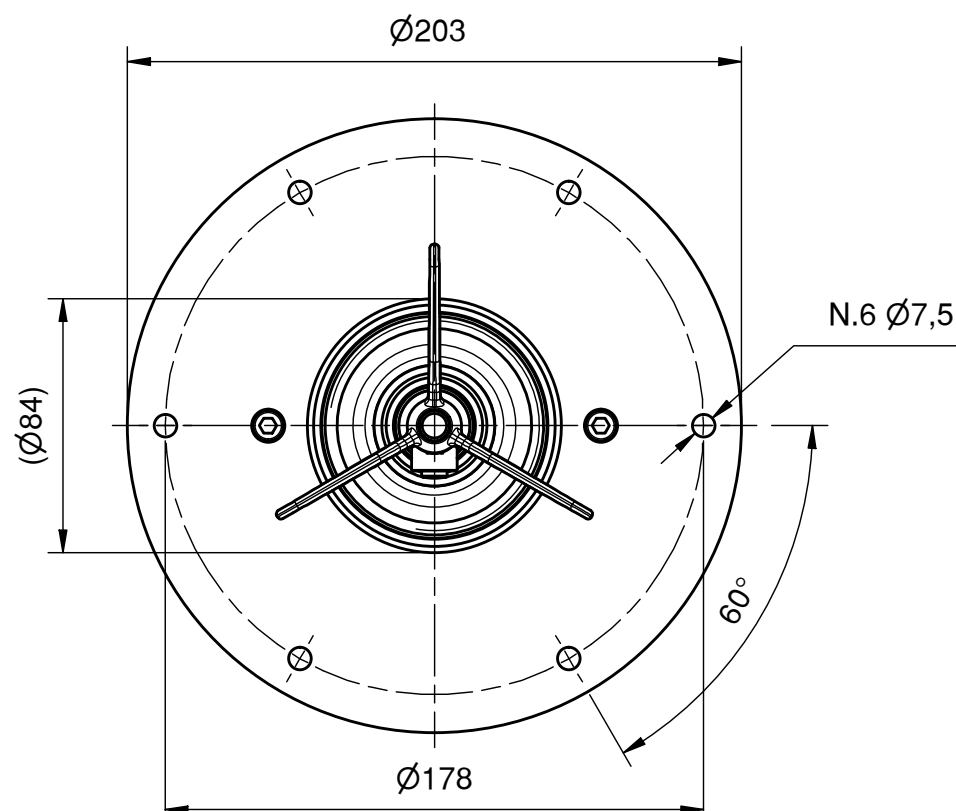
PFG05



TERMINALS: male FASTON (.250 series / 6,3x0,8 mm)  
see OPTIONS for more

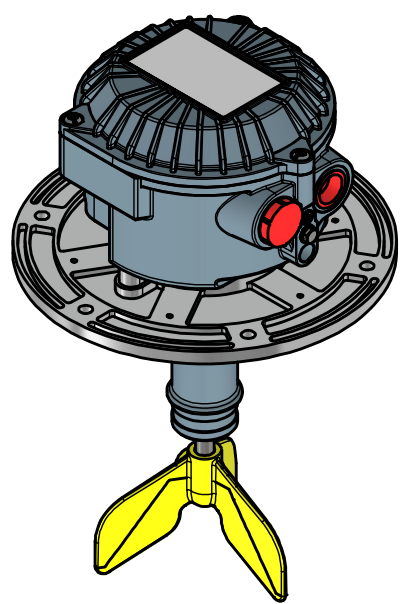
Model	PFG05
Weight	1.8 [kg]
Power supply	- Bivoltage 115/230[V] (50...60Hz) - Bivoltage 24/48[V] (50...60Hz) - DC 24[V]
Consumption	4 [W] max
Signal	SPDT / max. 10[A]-250VAC / 0,5[A]-24VDC
IP grade	IP65
Housing	Aluminium (powder coated)
Connection	G 2" 1/2 - Aluminium
Ambient temperature	-20 < Ta < +70 [°C] -40 < Ta < +70 [°C] LOW TEMPERATURE VERSION ONLY
Process temperature	-20 < Tp < +70 [°C]
Pressure range	+0,8 ... +1,1 bar [abs] +0.8 ... +5 bar [abs] (non-ATEX version)
Directives	2011/65/EU (RoHS) 2014/30/EU (EMC) 2014/34/EU (ATEX) 2014/35/EU (LVD)
ATEX Marking	Ex II 1/2 D Ex ta/tb IIIC T85°C IP65Da/Db Ex II 3 D Ex tc IIIB T85°C Dc (Lamp version)
IECEX Marking	Ex ta/tb IIIC T85°C Da/Db

03	27/05/26	Agg. generale + portata contatti	0017/26	Salati A.
REV.	DATA - Date	DESCRIZIONE MODIFICA - Description of the change	ID	DIS./VER. - Drawn/Checked
CODICE - Code		DESCRIZIONE - Description		
0602 0001 00		SCHEDE TECNICA PFG05		
DISEGNATO Drawn by Colli S.		SCALA Scale 1 : 2,5		
DATA Date 25/07/25		FORMATO Format A3		
LE DIMENSIONI SONO ESPRESSE IN mm SALVO DIVERSA INDICAZIONE All dimension are in mm unless otherwise indication		FOGLIO Sheet 1 Of 5		REV.
FILE CAD Cad File 0602_0001_00-03.idw		MASSA Mass 1.49 kg		03



TERMINALS: male FASTON (.250 series / 6,3x0,8 mm)  
see OPTIONS for more

PFG05 F

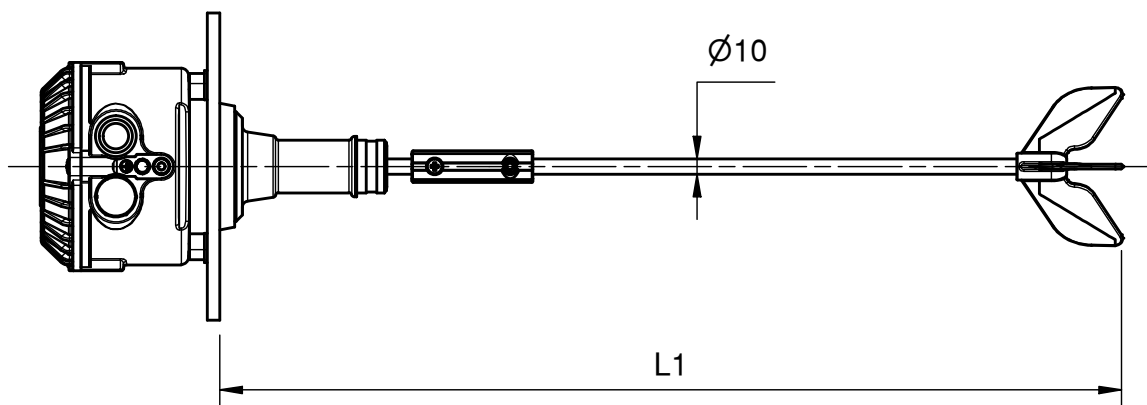


Model	PFG05 F
Weight	1.8 [kg]
Power supply	- Bivoltage 115/230[V] (50...60Hz) - Bivoltage 24/48[V] (50...60Hz) - DC 24[V]
Consumption	4 [W] max
Signal	SPDT / max. 10[A]-250VAC / 0,5[A]-24VDC
IP grade	IP65
Housing	Aluminium (powder coated)
Connection	G 2" 1/2 - Aluminium
Ambient temperature	-20 < Ta < +70 [°C] -40 < Ta < +70 [°C] LOW TEMPERATURE VERSION ONLY
Process temperature	-20 < Tp < +70 [°C]
Pressure range	+0,8 ... +1,1 bar [abs] +0.8 ... +5 bar [abs] (non-ATEX version)
Directives	2011/65/EU (RoHS) 2014/30/EU (EMC) 2014/34/EU (ATEX) 2014/35/EU (LVD)
ATEX Marking	Ex II 1/2 D Ex ta/tb IIIC T85°C IP65Da/Db Ex II 3 D Ex tc IIIB T85°C Dc (Lamp version)
IECEX Marking	Ex ta/tb IIIC T85°C Da/Db

03	27/05/26	Agg. generale + portata contatti	0017/26	Salati A.
REV.	DATA - Date	DESCRIZIONE MODIFICA - Description of the change	ID	DIS./VER. - Drawn/Checked
CODICE - Code		DESCRIZIONE - Description		
0602 0001 00		SCHEDE TECNICA PFG05		
DISEGNATO Drawn by Colli S.		SCALA Scale 1 : 2,5		
DATA Date 25/07/25		FORMATO Format A3		
LE DIMENSIONI SONO ESPRESSE IN mm SALVO DIVERSA INDICAZIONE All dimension are in mm unless otherwise indication		FOGLIO Sheet 2		DI Of 5
FILE CAD Cad File 0602_0001_00-03.idw		MASSA Mass 2,37		kg
Via dell' Industria, 12 42025 Cavriago (RE) - Italy www.camlogic.it		Tel. 0522 942641		REV. 03

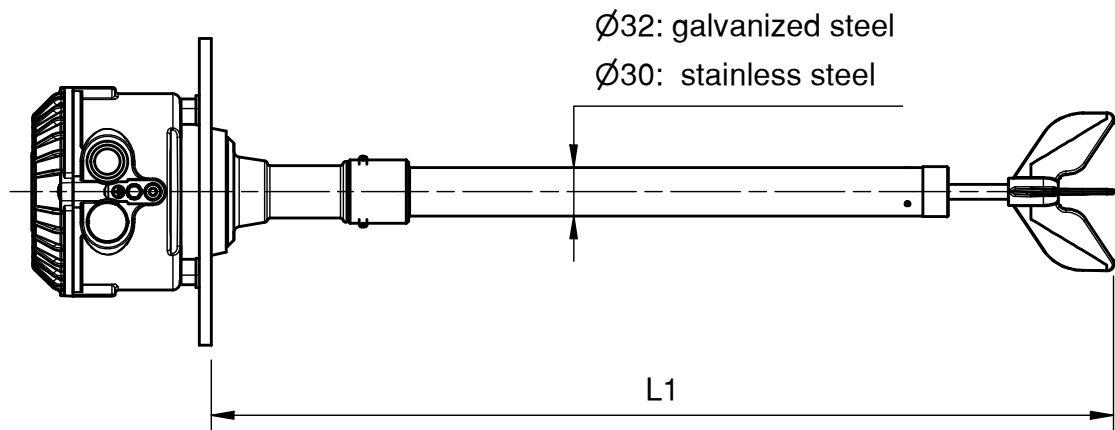
**EXTENSIONS**

Extension w/o protection  
**PSP** : galvanized steel  
**PSPX** : stainless steel

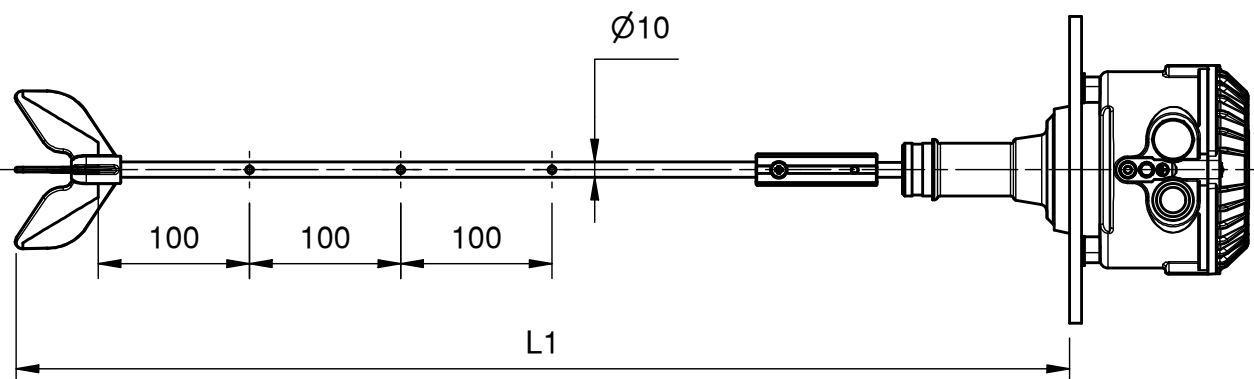


L1 [mm]
300
400
500
600
700
800
900
1000
1200
1500
1800
2000
2500
3000
other lengths available on request, up to 3m

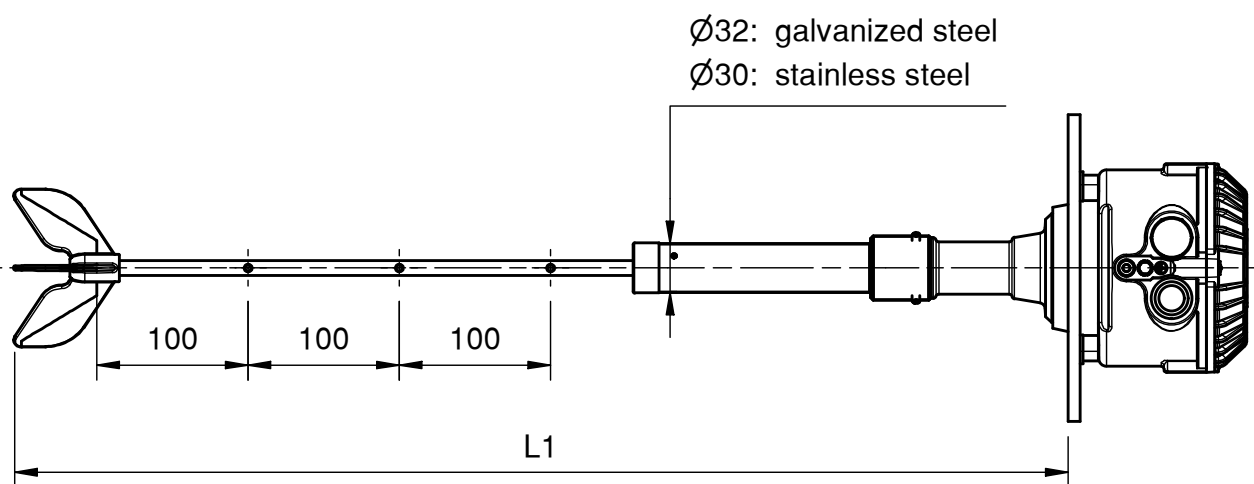
Extension with external protection  
**PCP** : galvanized steel  
**PCPX** : stainless steel



L1 [mm]
600
700
800
900
1000
1200
1500
1800
2000
2500
3000
other lengths available on request, up to 3m

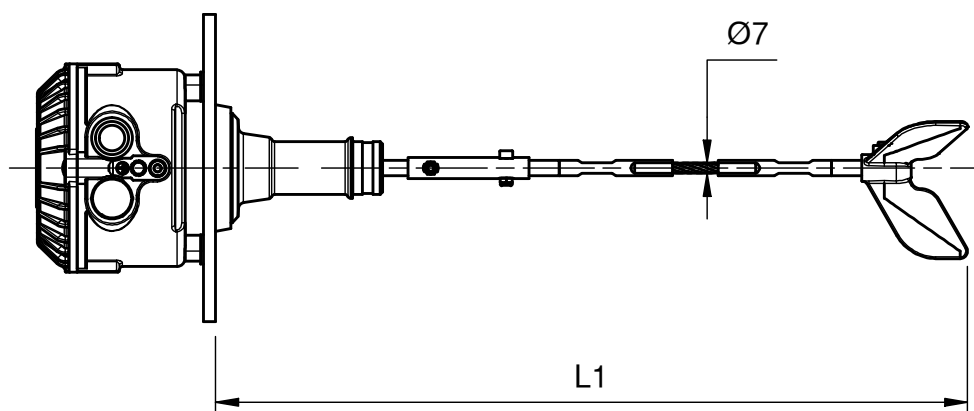


Adjustable xtension w/o protection  
**PRS** : galvanized steel  
**PRSX** : stainless steel



Extension with external protection  
**PRP** : galvanized steel  
**PRPX** : stainless steel

Flexible extension  
**PF** : galvanized steel



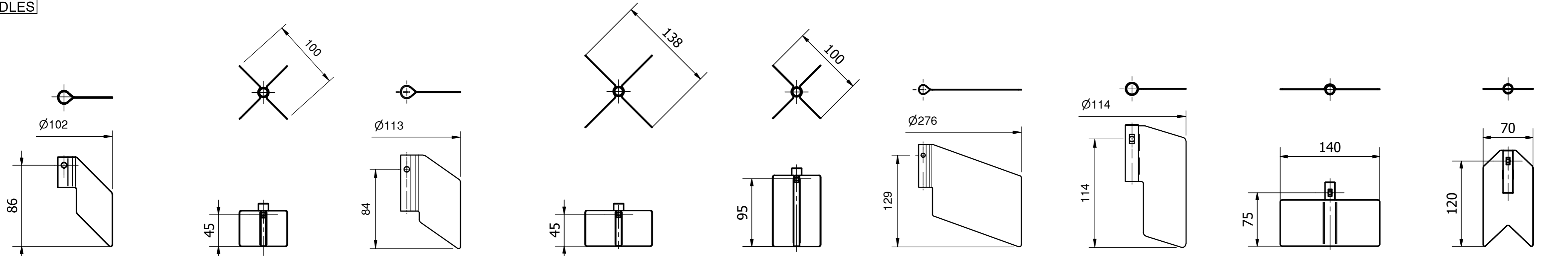
L1 [mm]
500
600
700
800
900
1000
1200
1500
1800
2000
2500
3000
4000

L1 [mm]
5000
6000
7000
8000
9000
10000
11000
12000
other lengths available on request, up to 3m

**NOTE** : lengths may slightly differ from the tables according to the type of connection, model and paddle chosen

03	27/05/26	Agg. generale + portata contatti	0017/26	Salati A.
REV.	DATA - Date	DESCRIZIONE MODIFICA - Description of the change	ID	DIS./VER. - Drawn/Checked
CODICE - Code		DESCRIZIONE - Description		
0602_0001_00		SCHEMA TECNICA PFG05		
DISEGNATO Drawn by Colli S.		SCALA Scale 1:5		
DATA Date 25/07/25		FORMATO Format A3		
LE DIMENSIONI SONO ESPRESSE IN mm SALVO DIVERSA INDICAZIONE All dimension are in mm unless otherwise indication		FOGLIO Sheet 3 Of 5		
FILE CAD Cad File 0602_0001_00-03.idw		MASSA Mass 2.63 kg		
Via dell' Industria, 12 42025 Cavriago (RE) - Italy www.camlogic.it		REV. 03		
Tel. 0522 942641				

**PADDLES**



**AC1 INOX**  
AISI 304  
AISI 316  
density > 1.0 kg/dm3

**AC3 INOX**  
AISI 304  
AISI 316  
density > 0.3 kg/dm3

**AC4 INOX**  
AISI 304  
density > 0.5 kg/dm3

**AC5 INOX**  
AISI 304  
density > 0.2 kg/dm3

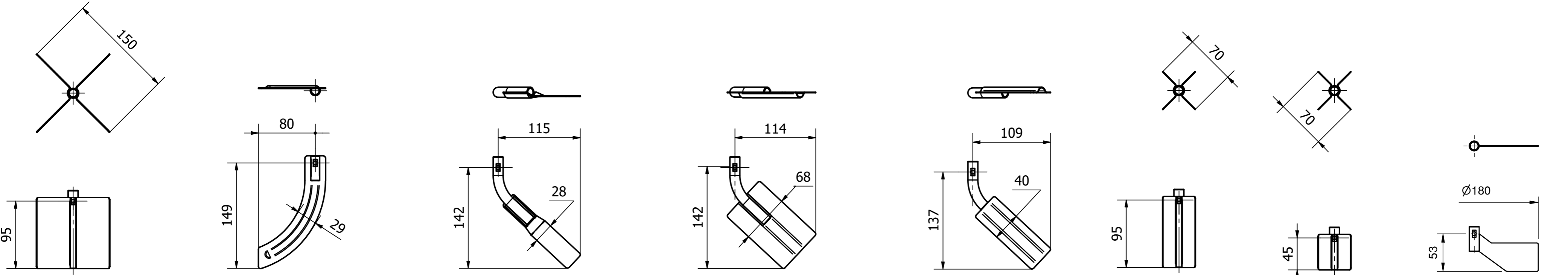
**AC5L INOX**  
AISI 304  
AISI 316  
density > 0.2 kg/dm3

**AC6 INOX**  
AISI 304  
density > 0.1 kg/dm3

**AC7 INOX**  
AISI 304  
density > 0.3 kg/dm3

**AC9 INOX**  
AISI 304  
density > 0.2 kg/dm3

**AC10 INOX**  
AISI 304  
density > 0.6 kg/dm3



**AC11 INOX**  
AISI 304  
density > 0.1 kg/dm3

**AC12 INOX**  
AISI 304  
AISI 316  
density > 0.4 kg/dm3

**AC14 INOX**  
AISI 304  
density > 0.4 kg/dm3

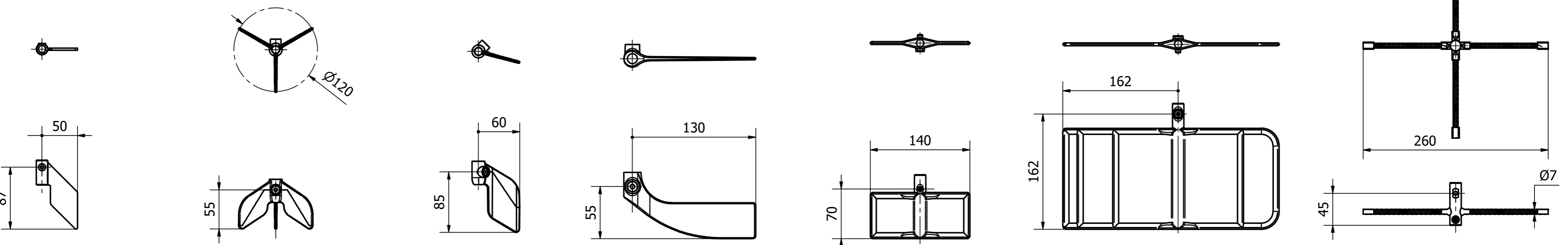
**AC15 INOX**  
AISI 304  
density > 0.2 kg/dm3

**AC16 INOX**  
AISI 304  
density > 0.3 kg/dm3

**AC17 INOX**  
AISI 304  
density > 0.4 kg/dm3

**AC18 INOX**  
AISI 304  
density > 0.7 kg/dm3

**AC21 INOX**  
AISI 304  
AISI 316  
density > 0.25 kg/dm3



**AC1 PLA**  
PA 6  
density > 1.0 kg/dm3

**AC2 PLA**  
PA 6  
density > 0.3 kg/dm3

**AC4 PLA**  
PA 6  
density > 0.5 kg/dm3

**AC19PLA1**  
Lathiom 52/11-08 PD02  
density > 0.3 kg/dm3

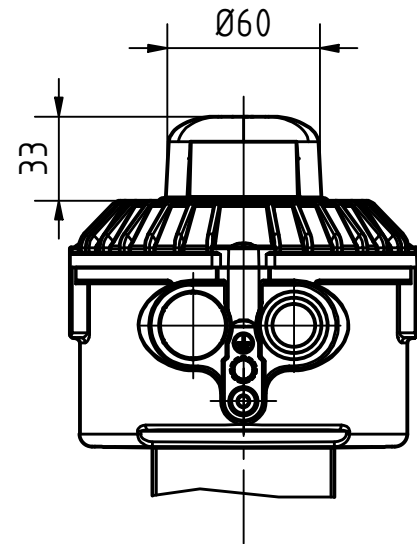
**AC9 PLA**  
PA 6  
density > 0.2 kg/dm3

**AC13 PLA**  
PA 6  
density > 0.02 kg/dm3

**AC8**  
galvanized steel (wires)  
density > 2.0 kg/dm3

03	27/05/26	Agg. generale + portata contatti	0017/26	Salati A.
REV.	DATA - Date	DESCRIZIONE MODIFICA - Description of the change	ID	DIS./VER. - Drawn/Checked
CODICE - Code 0602_0001_00		DESCRIZIONE - Description SCHEDA TECNICA PFG05		
DISEGNATO Drawn by Colli S.		SCALA Scale 1:3		
DATA Date 25/07/25		FORMATO Format A2		
LE DIMENSIONI SONO ESPRESSE IN mm SALVO DIVERSA INDICAZIONE All dimension are in mm unless otherwise indication		FOGLIO Sheet 4		
FILE CAD Cgd File 0602_0001_00-03.idw		DI Of 5		
www.camlogic.it		MASSA Mass 0,03		
Tel. 0522 942641		kg		
REV.		03		

**OPTIONS**



**SIGNAL LAMP (PFG05.../L)**

Adds a LED lamp on top. The lamp could be connected to NC contact (MIN level - empty), or NO contact (MAX level - full).

Must define a single power supply voltage:

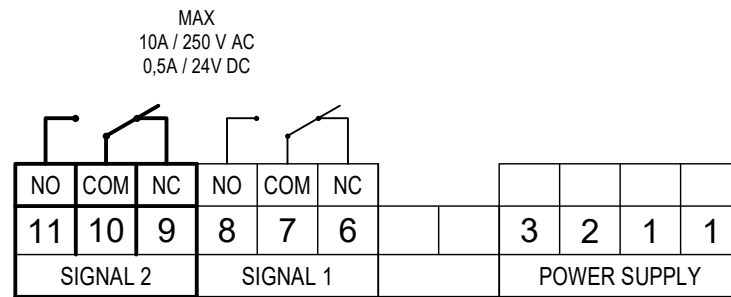
- 24 [V] AC/DC
- 48 [V] AC
- 115[V] AC
- 230[V] AC

**NOTE**

Model with lamp can be installed only in Atex zone 22  
Marking: Ex II 3 D Ex tc IIIB T85°C Dc

**DOUBLE DRY CONTACT**

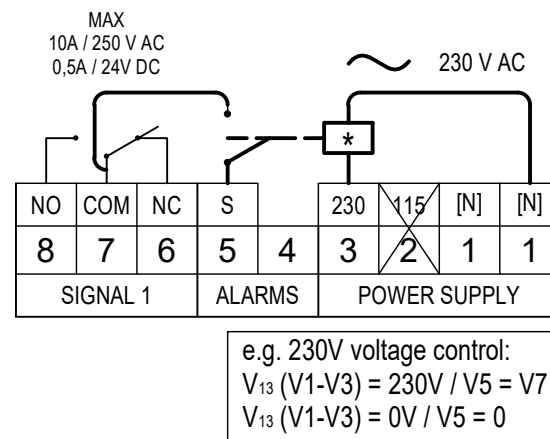
Adds a second signal contact SPDT (terminals 9-10-11)



**VOLTAGE CONTROL**

Adds an alarm in case of power supply failure. When power supply is OFF, a realy closes terminals 5 and 7. Must define a single power supply voltage (\*):

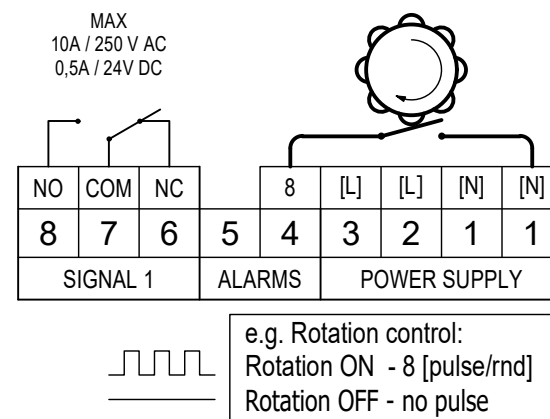
- 24 [V] AC/DC
- 48 [V] AC
- 115 [V] AC
- 230 [V] AC



**ROTATION CONTROL**

Adds a signal to indicate shaft rotation. When the shaft rotates, a microswitch generates a pulse signal (8 pulse / rotation) between terminals 1 and 4.

On request, it is possible to have the pulsed signal between terminals 4 and 7.



**LOW TEMPERATURE (PFG05.../B)**

Extends the range of use of the indicator down to a minimum temperature of -40°C.

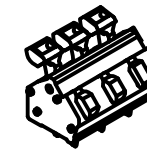
Intelligent automatic operation: when the temperature exceeds +20°C it stops heating (heating OFF), it is reactivated when the temperature falls again below +20°C (heating ON).

Must define a single power supply voltage:

- 24 [V] AC/DC
- 48 [V] AC
- 115[V] AC
- 230[V] AC

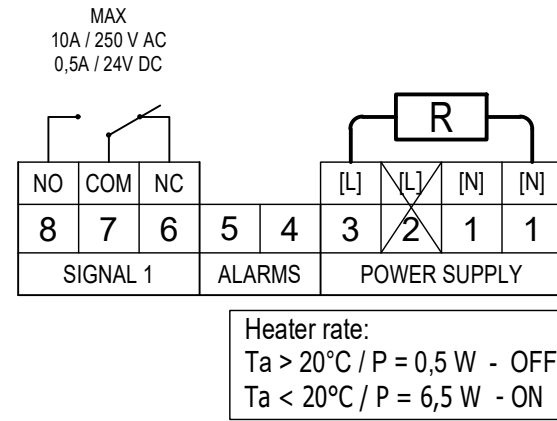
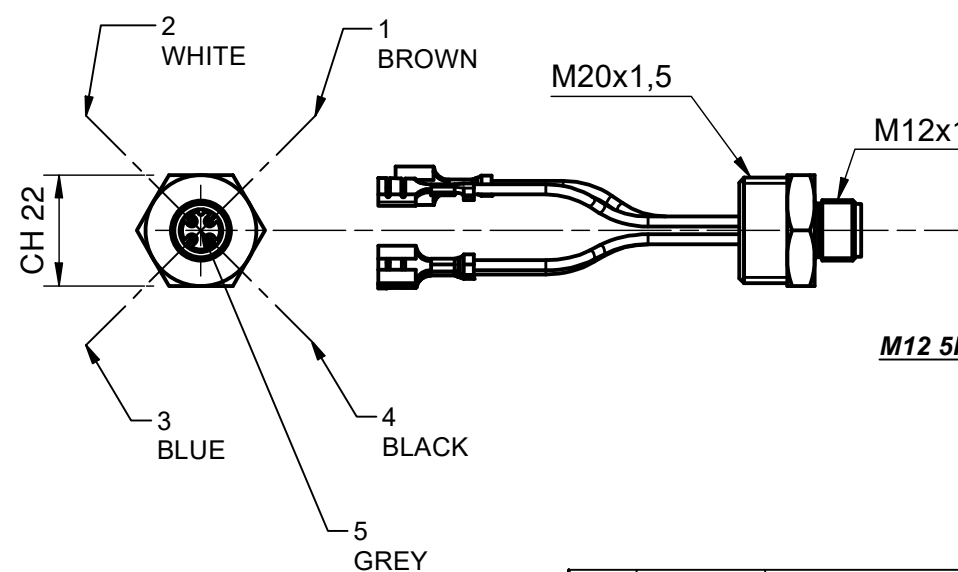
**SPRING TERMINAL BLOCK**

Terminals with spring terminal design. No tool needed for wires connection. 0.13 - 2.5 mm2 (AWG26 - AWG14)



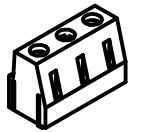
**4rpm GEARMOTOR**

Increase paddle speed (4rpm) to reduce product detection delay time (response time about 1.5s)



**SCREW TERMINAL BLOCK**

Terminals with screw terminal design (flat head). 0.05 - 2.5 mm2 (AWG30 - AWG12)



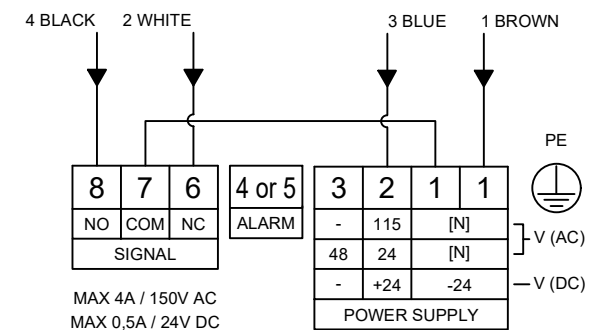
**CONDENSATION FILTER**

It allows exchange of air temperature and pressure with the ambient, preventing the formation of condensation. The option does not alter the IP grade and the Ex marking of the advice.

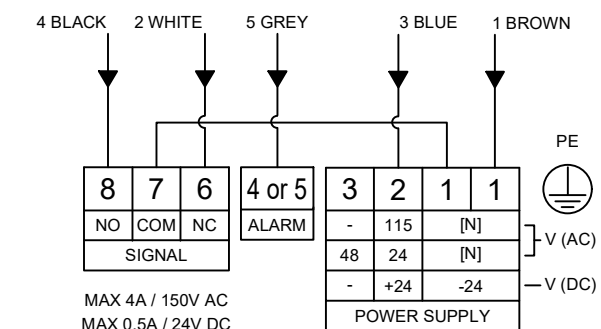
**M12 CIRCULAR CONNECTOR**

Through a M20x1,5 threaded reduction mounted in one of the cable entries of the level indicato, it is possible to use the 4/5 poles M12 connector for a quick and reliable connection. Available only for 24 V power supply (DC), maximum contacts capacity 4A.

**M12 4P**



**M12 5P**



03	27/05/26	Agg. generale + portata contatti	0017/26	Salati A.
REV.	DATA - Date	DESCRIZIONE MODIFICA - Description of the change	ID	DIS./VER. - Drawn/Checked
CODICE - Code 0602_0001_00		DESCRIZIONE - Description SCHEDA TECNICA PFG05		
DISEGNATO Drawn by Colli S.		SCALA Scale 1:3		
DATA Date 25/07/25		FORMATO Format A3		
LE DIMENSIONI SONO ESPRESSE IN mm SALVO DIVERSA INDICAZIONE All dimension are in mm unless otherwise indicator		FOGLIO Sheet 5 Of 5		
FILE CAD Cad File 0602_0001_00-03.idw		MASSA Mass 2,05 kg		
Via dell' Industria, 12 42025 Cavriago (RE) - Italy www.camlogic.it		REV. 03		