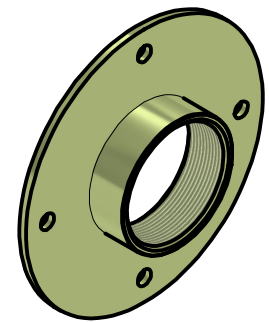
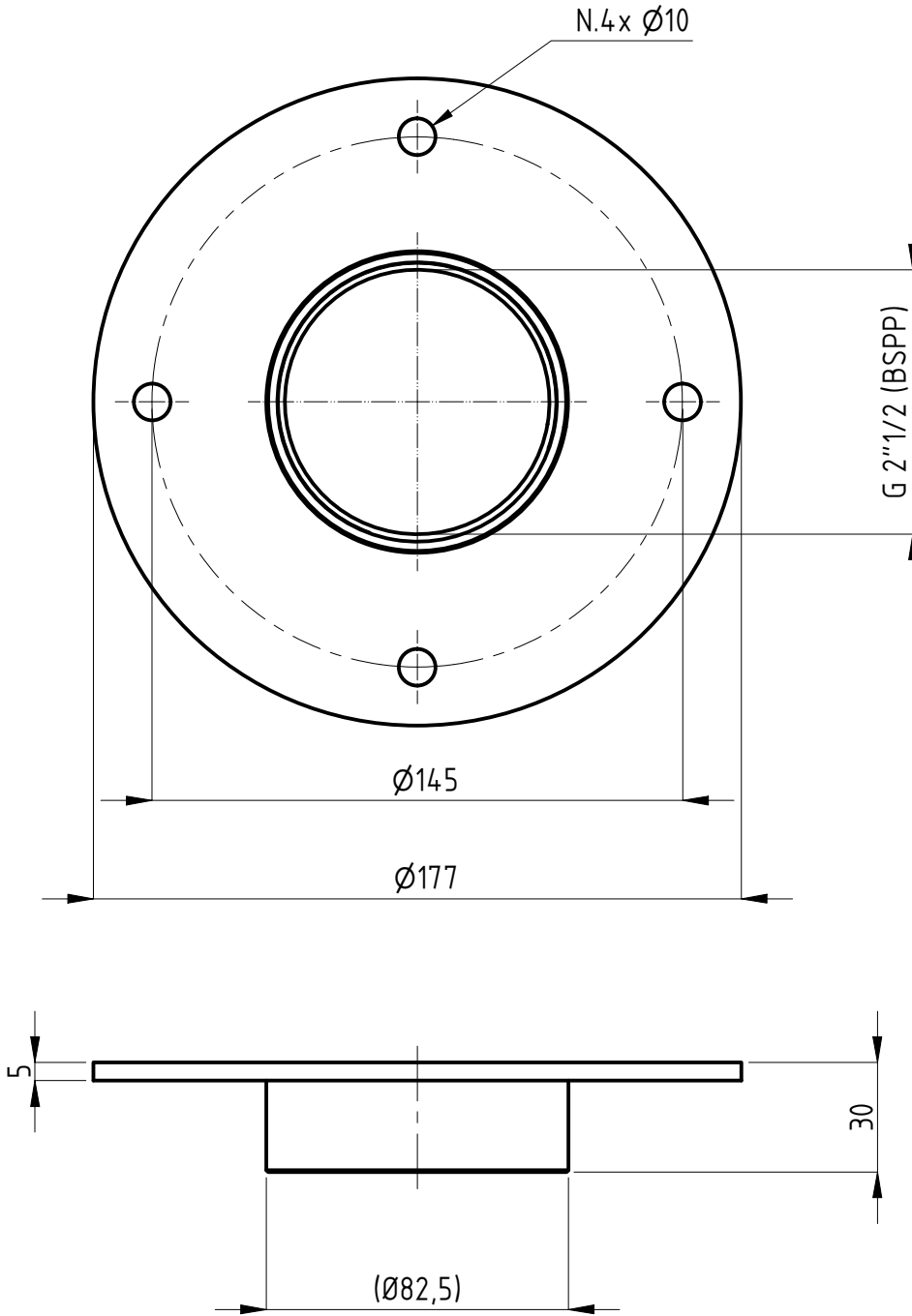


**CONFIDENTIAL / PROPRIETARY
DO NOT DISTRIBUTE**

© CAMLogic, 2021
- ALL RIGHTS RESERVED -



DRAWN: Ruozzi N. 16/04/21

CHECKED: Guazzetti G. 16/04/21

PRODUCTS:
PFG05

UNLESS OTHERWISE SPECIFIED
- DIMENSIONS ARE IN mm -

GENERAL TOL: ISO 2768-mH

CAD REF: Autocad Inventor 2020

SCALE: 1 : 2

FIRST ANGLE PROJECTION

DRAWING FROM CAD SYSTEM - REFER TO 3D
MODEL FOR MISSING DIMENSION - NO
MANUAL MODIFICATION ALLOWED

SURFACE
FINISH: GALVANIZZATO

WEIGHT: 1,028 kg

MATERIAL:

0405_0056_00-00.iam

© CAMLogic
Via Dell'Industria 12
42025 Cavriago (RE) - ITALY
Web: www.camlogic.it



PART NUMBER
0405_0056_00

DESCRIPTION
FLANGIA 177x5 4F-D10x145 (G2-1/2)

SHEET:
1

REV: 00

REV.	MODIFICATION	DRAWN	DATE
00			

SHEET NO: 1 OF 1

SIZE UNI A4