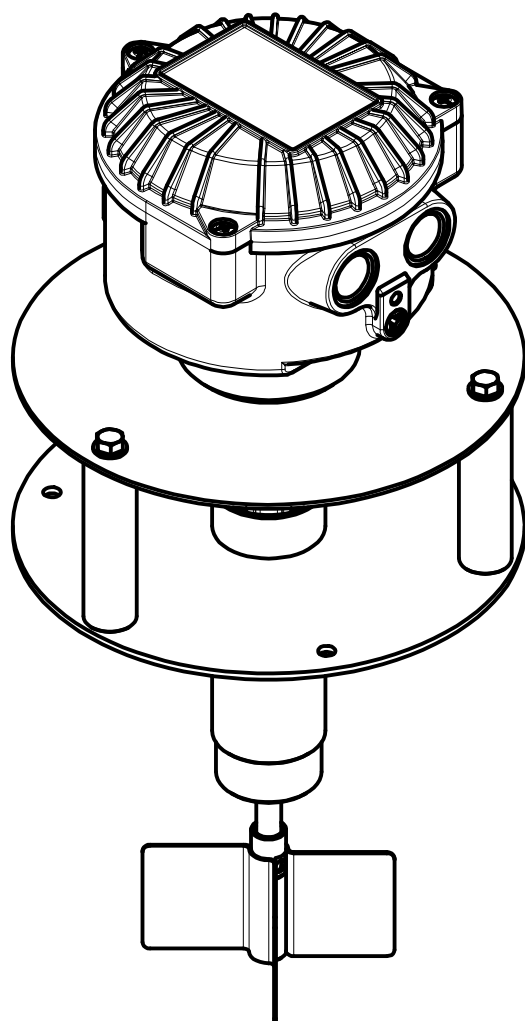


Terminals : male FASTON (.250 series / 6,3x0,8 mm)

AC3INOX  
density > 0,3 kg/dm<sup>3</sup>

PFG05ATFV 200°/400°



Model	PFG05ATFV 200°/400°
Weight	3,7 [kg] (3,4 [kg])
Power supply	- Bivoltage 115/230[V] (50...60Hz) - 4[W] - Bivoltage 24/48[V] (50...60Hz) - 4[W] - DC 24[V] ±15% - 4[W]
Signal	SPDT / max. 10[A]-250VAC
IP grade	IP65
Housing	Aluminium (powder coated)
Connection	Flange - AISI304
Ambient temperature	-20 < Ta < +70 [°C] -40 < Ta < +70 [°C] <i>LOW TEMPERATURE versions only (PFG.../B)</i>
Process temperature	-20 < Tp < +200 [°C] ( -20 < Tp < +400 [°C]) -40 < Tp < +...00 [°C] <i>LOW TEMPERATURE versions only (PFG.../B)</i>
Pressure range	+0,8 ... +1,1 bar [abs]
Directives	2011/65/EU (RoHS) 2014/30/EU (EMC) 2014/34/EU (ATEX) (ONLY 200° VERSION) 2014/35/EU (LVD)
ATEX Marking	Ex II 1/2 D Ex ta/tb IIIC T85°C IP65 Da/Db Ex II 3 D Ex tc IIIB T85°C Dc (Lamp version)
IECEX Marking	Ex ta/tb IIIC T85°C Da/Db

© CAMLogic  
Via dell'Industria 12  
42025 Cavriago (RE) - ITALY  
www.camlogic.it

**CAMLOGIC**

DRAWING N. 0602\_005\_0

SHEET: 1 OF 5

REV: 1

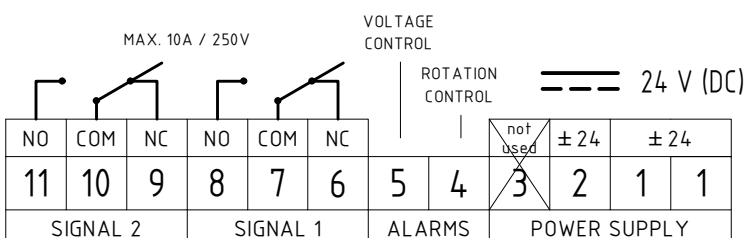
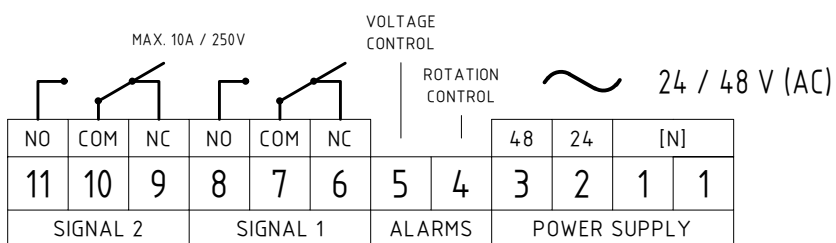
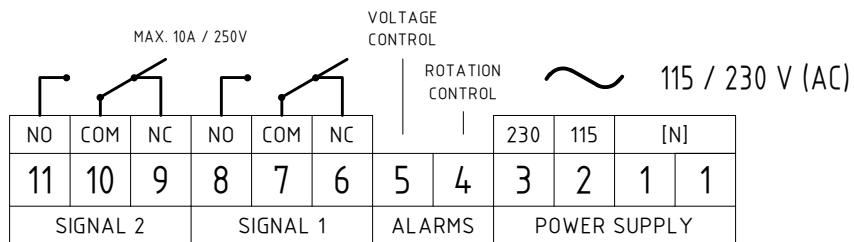
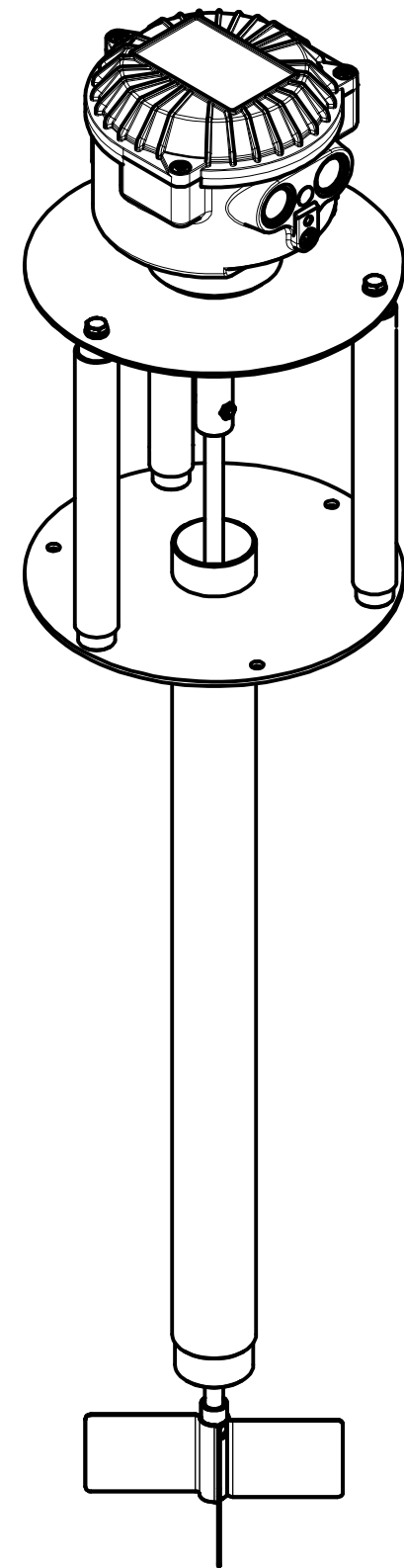
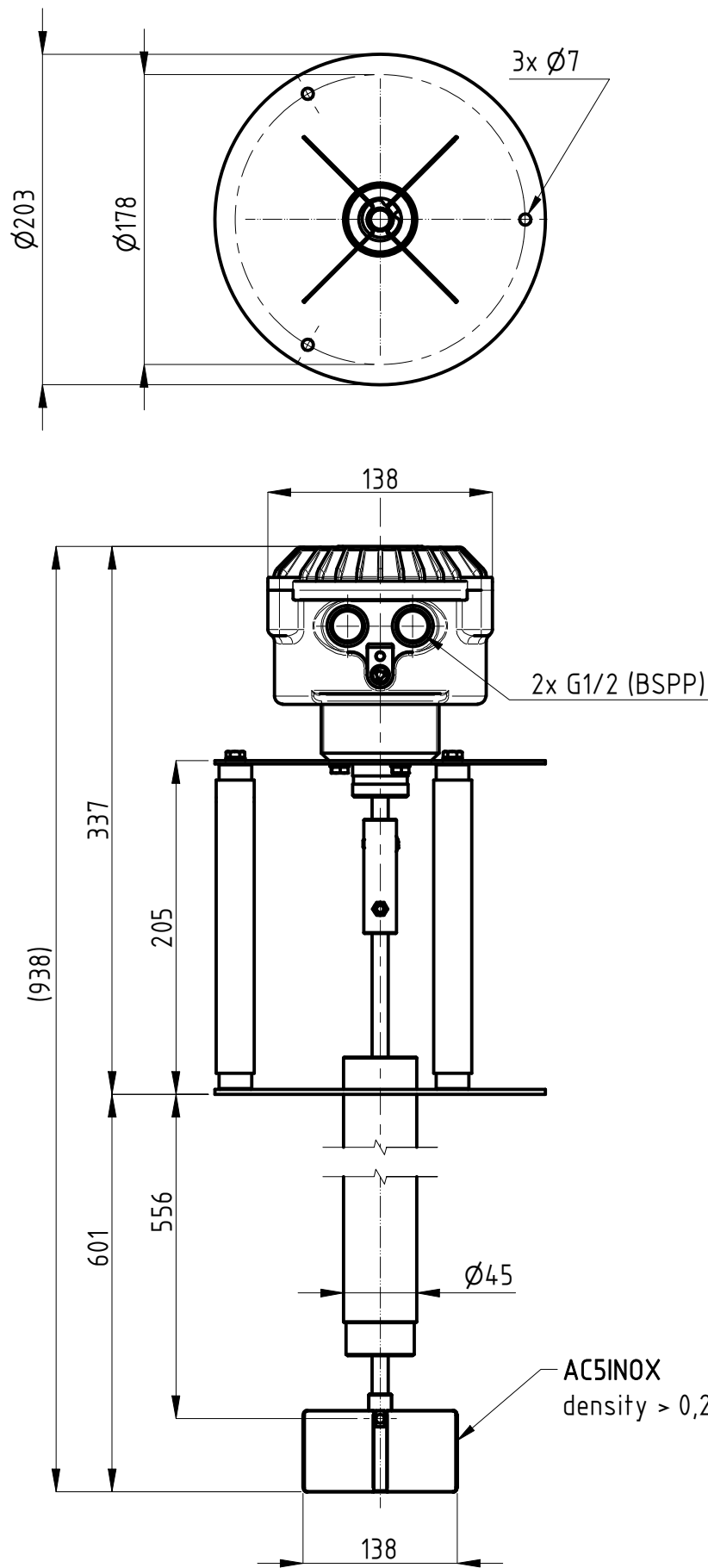
GENERAL TOL.: ISO 2768-mH

UNLESS OTHERWISE SPECIFIED DRAWING FROM CAD SYSTEM - REFER TO 3D MODEL FOR MISSING DIMENSION - NO MANUAL MODIFICATION ALLOWED

SCALE: 1:3

DRAWN NR DATE 21.09.2021

PFG05ATFV 600°



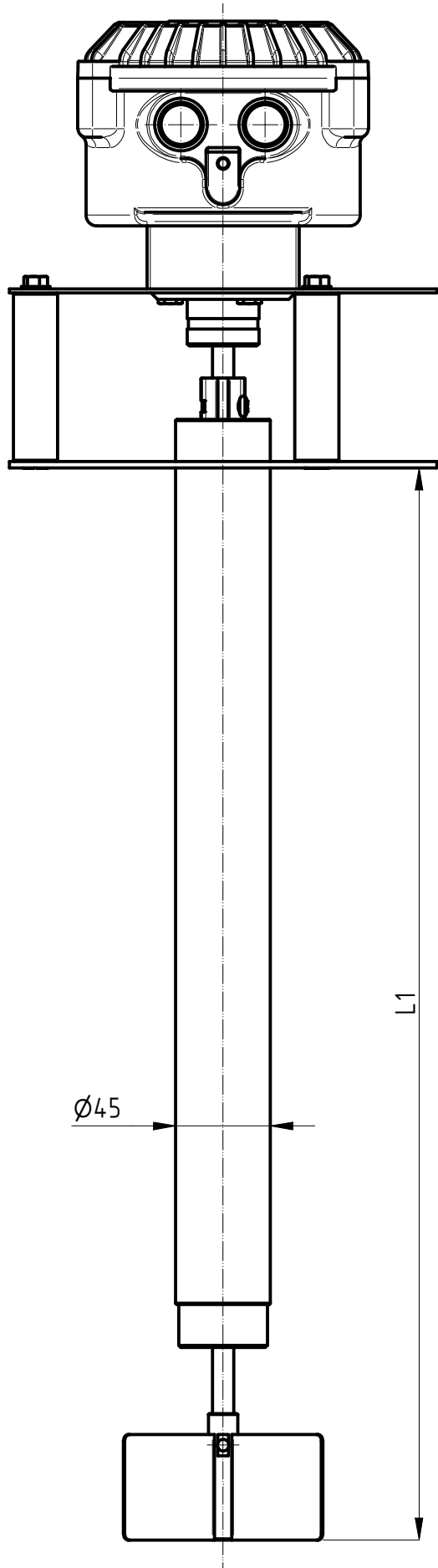
Terminals : male FASTON (.250 series / 6,3x0,8 mm)

Model	PFG05ATFV 600°
Weight	5,5 [kg]
Power supply	- Bivoltage 115/230[V] (50...60Hz) - 4[W] - Bivoltage 24/48[V] (50...60Hz) - 4[W] - DC 24[V] ±15% - 4[W]
Signal	SPDT / max. 10[A]-250VAC
IP grade	IP65
Housing	Aluminium (powder coated)
Connection	Flange - AISI304
Ambient temperature	-20 < Ta < +70 [°C] -40 < Ta < +70 [°C] <i>LOW TEMPERATURE versions only (PFG.../B)</i>
Process temperature	-20 < Tp < +600 [°C] -40 < Tp < +600 [°C] <i>LOW TEMPERATURE versions only (PFG.../B)</i>
Pressure range	+0,8 ... +1,1 bar [abs]
Directives	2011/65/EU (RoHS) 2014/30/EU (EMC) 2014/35/EU (LVD)

<p>® CAMLogic</p> <p>Via dell'Industria 12 42025 Cavriago (RE) - ITALY www.camlogic.it</p>		DRAWING N.	SHEET:
		0602_005_0	2 OF 5
GENERAL TOL.: ISO 2768-mH	UNLESS OTHERWISE SPECIFIED DIMENSION ARE IN [mm]	DRAWING FROM CAD SYSTEM - REFER TO 3D MODEL FOR MISSING DIMENSION - NO MANUAL MODIFICATION ALLOWED	SCALE: 1:4
			REV: 1 DATE 21.09.2021

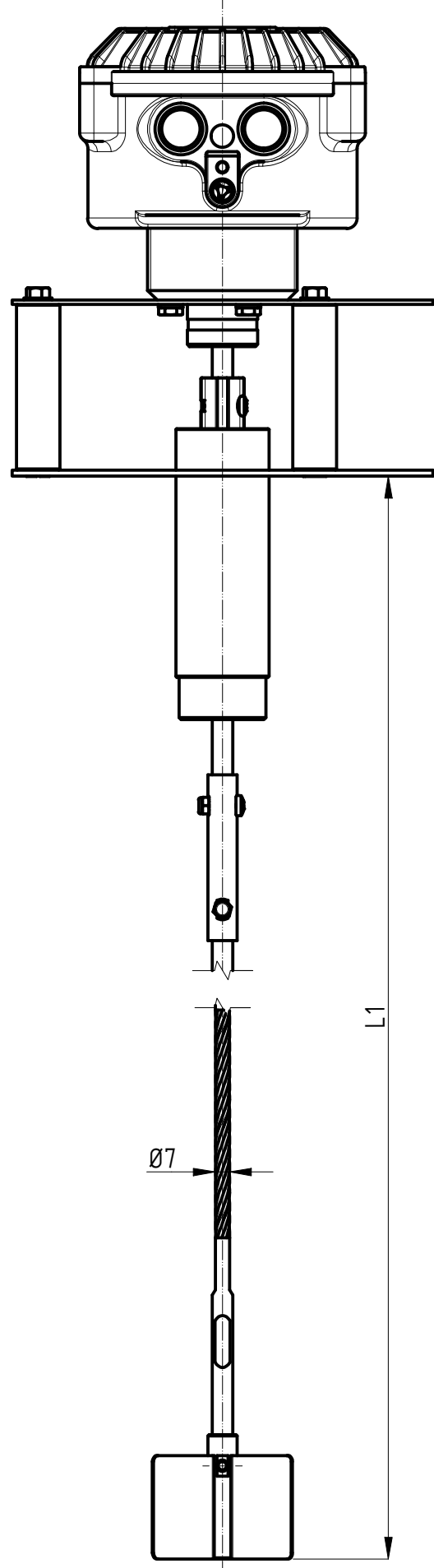
EXTENSIONS

Extension with external protection  
PA : stainless steel



L1 [mm]
250
300
350
400
450
500
550
600
650
700
750
800
850
900
950
1000
1050
1100
1150
1200
1250
1300
1350
1400
1450
1500
other lengths available on request, up to 1,5m

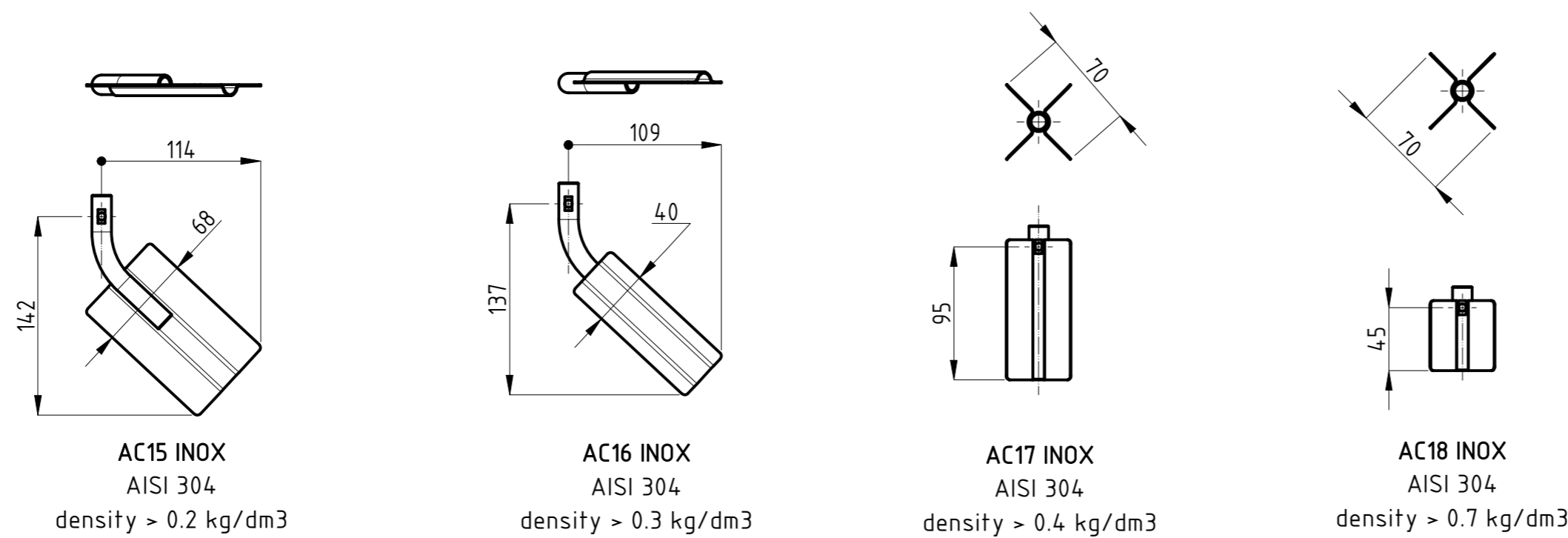
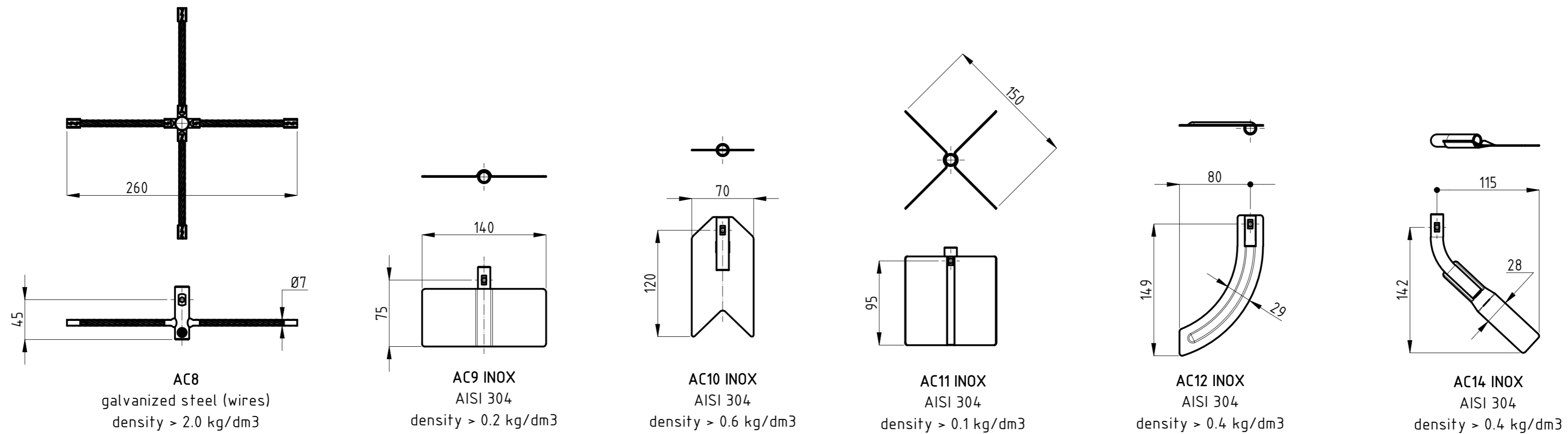
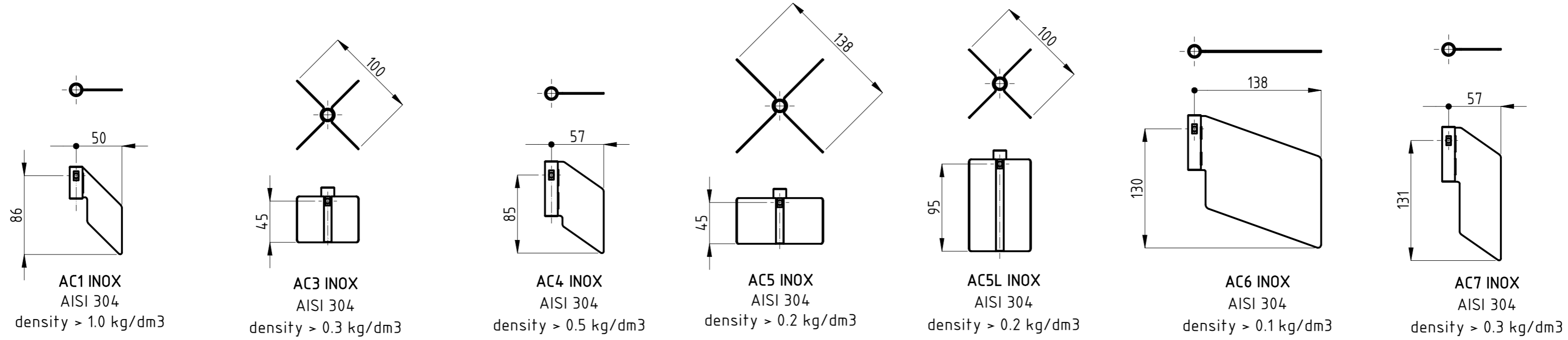
Flexible extension  
PF : galvanized steel



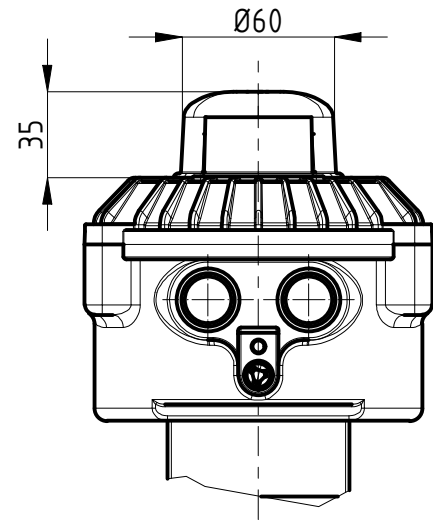
L1 [mm]
500
600
700
800
900
1000
1200
1500
2000
2500
3000
4000
5000
6000
7000
8000
9000
10000
11000
12000
other lengths available on request, up to 12m

NOTE : lengths may slightly differ from the tables according to the type of connection, model type and paddle chosen

<p><b>® CAMLogic</b> Via dell'Industria 12 42025 Cavriago (RE) - ITALY www.camlogic.it</p>	<p><b>CAMLOGIC</b>®</p>	DRAWING N.	SHEET:
		0602_005_0	3 OF 5
GENERAL TOL.: ISO 2768-mH	UNLESS OTHERWISE SPECIFIED DRAWING FROM CAD SYSTEM - REFER TO 3D MODEL FOR MISSING DIMENSION - NO MANUAL MODIFICATION ALLOWED	SCALE: 1:3	DRAWN NR DATE 30.09.2021



**OPTIONS**



**SIGNAL LAMP (PFG05.../L)**

Adds a LED lamp on top. The lamp could be connected to NC contact (MIN level - empty), or NO contact (MAX level - full).

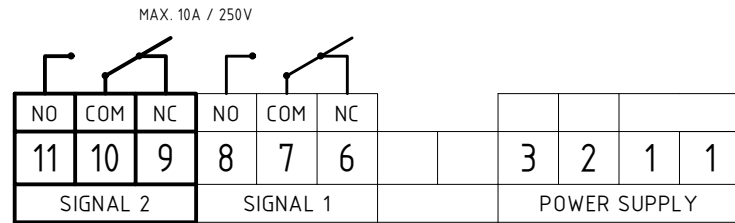
Must define a single power supply voltage: 24[V]  
48[V]  
115[V]  
230[V]

**NOTE**

Model with lamp can be installed only in Atex zone 22  
Marking: Ex II 3 D Ex tc IIIB T85°C Dc

**DOUBLE DRY CONTACT**

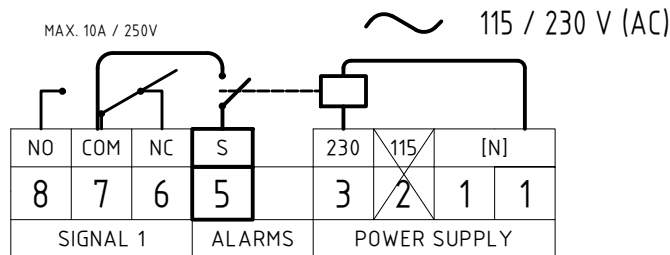
Adds a second signal contact SPDT (terminals 9 - 10 - 11)



**VOLTAGE CONTROL**

Adds an alarm in case of power supply failure. When power supply is OFF, a relay closes terminals 5 and 7

Must define a single power supply voltage: 24[V]  
48[V]  
115[V]  
230[V]

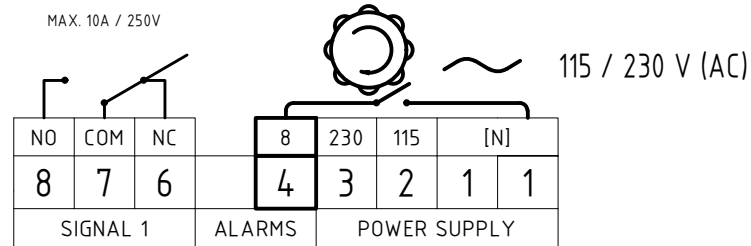


e.g. 230V Voltage contr.  
V 1-3 = 230V / V5 = 0  
V 1-3 = 0V / V5 = V7

**ROTATION CONTROL**

Adds a signal to indicate shaft rotation. When the shaft rotates, a microswitch generates a pulse signal (8 pulse / rotation) between terminals 1 and 4.

On request, it is possible to have the pulsed signal between terminals 4 and 7.



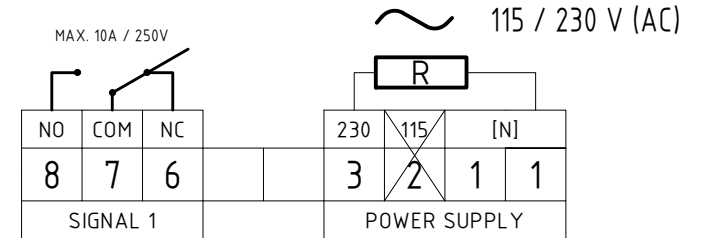
Rotation control  
Rot. ON - 8 [pulse/rnd]  
Rotation OFF - non pulse

**LOW TEMPERATURE (PFG05.../B)**

Extends the range of use of the indicator down to a minimum temperature of -40 °C

Intelligent automatic operation: when the temperature exceeds + 20 °C it stops heating (heating OFF), it is reactivated when the temperature falls again below + 20 °C (heating ON)

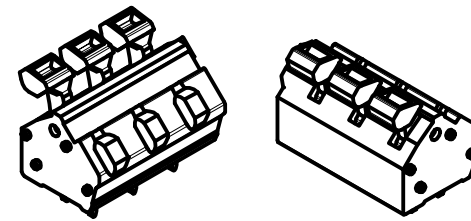
Must define a single power supply voltage: 24[V]  
48[V]  
115[V]  
230[V]



e.g. 230V Heater  
T > 20°C / P=0.5W  
T < 20°C / P=6,5W

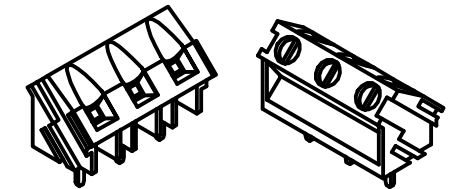
**SPRING TERMINAL BLOCK**

Terminals with spring terminal design. No tool needed for wires connection. 0,13 - 2,5mm2 (AWG26 - AWG14)



**SCREW TERMINAL BLOCK**

Terminals with screw terminal design (flat head) 0,05 - 2,5mm2 (AWG30 - AWG12)



**4rpm GEARMOTOR**

Increase paddle speed (4 rpm) to reduce product detection delay time (response time ~ 1,5s)

**CONDENSATION FILTER**

It allows the exchange of air temperature and pressure with the ambient, preventing the formation of condensation. The option does not alter the IP grade and the Ex marking of the device.